

AVH-09V1DE-II
AVH-11V1DE-II
AVH-13V1DE-II



DC Inverter Air to Water Heat Pump

User's manual

Before operating this product, please read the instructions carefully and keep this manual for future use.

Catalogue

1. Before use	1
1.1 Safety precautions	1
1.2 Working principle	3
1.3 Main components	4
1.4 Specifications	6
2. Installation	8
2.1 General application system introduction	8
2.2 Installation of the indoor unit	18
2.3 Installation of the outdoor unit	20
2.4 Accessories	22
2.5 Wiring	23
2.6 Connection of refrigerant pipe	35
2.7 Installation of safety valve kit	39
2.8 Water pipe connection	40
2.9 Test run	41
3. Usage	42
3.1 Introduction of operation panel	42
3.2 Operation instruction	47
3.3 Electric heater	72
3.4 Failure codes	73
4. Maintenance	79
4.1 Attention	79
4.2 Cleaning of water filter	79
4.3 Cleaning of plate heat exchanger	79
4.4 Gas charging	80
4.5 Condenser coil	81
4.6 Service of indoor unit	81
4.7 Service of outdoor unit	83
4.8 Trouble-shooting	87
5. Attached drawing	89
5.1 Outlines and dimensions	89
5.2 Exploded view	91
5.3 Wiring diagram	95

1. Before use

1.1 Safety precautions

The following symbols are very important. Please be sure to understand their meaning, which concerns the product and your personal safety.



Warning



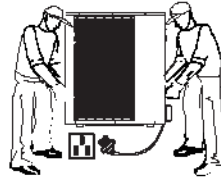
Caution



Prohibition



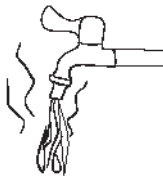
The installation, dismantlement and maintenance of the unit must be performed by qualified personnel. It is forbidden to do any changes to the structure of the unit. Otherwise injury of person or unit damage might happen.



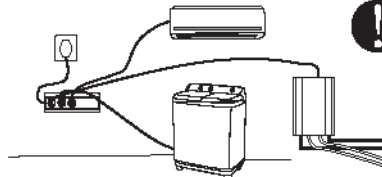
To avoid electrical shock, make sure to disconnect the power supply 1 minute or more before servicing the electrical parts. Even after 1 minute, always measure the voltage at the terminals of main circuit capacitors or electrical parts and, before touching, make sure that those voltages are lower than the safety voltage.



Be sure to read this manual before use.



For sanitary hot water, please always add a mixture valve before water tap and set it to proper temperature.

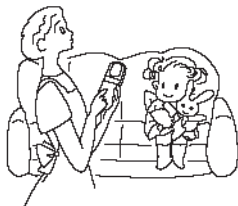


Use a dedicated socket for this unit, otherwise malfunction may occur.

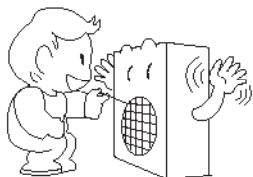
Ground wire



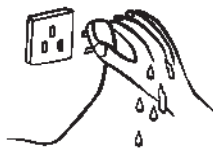
The power supply to the unit must be grounded.



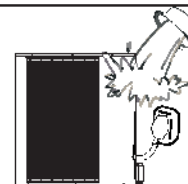
This appliance can be used by children aged from 8 years and above and persons with reduced physical, sensory or mental capabilities or lack of experience and knowledge if they have been given supervision or instruction concerning use of the appliance in a safe way and understand the hazards involved. Children shall not play with the appliance. Cleaning and user maintenance shall not be made by children without supervision.



Do not touch the air outlet grill when fan motor is running.

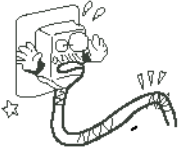
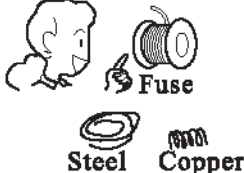
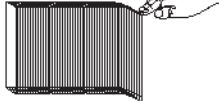



Do not touch the power plug with wet hands. Never pull out the plug by pulling the power cable.

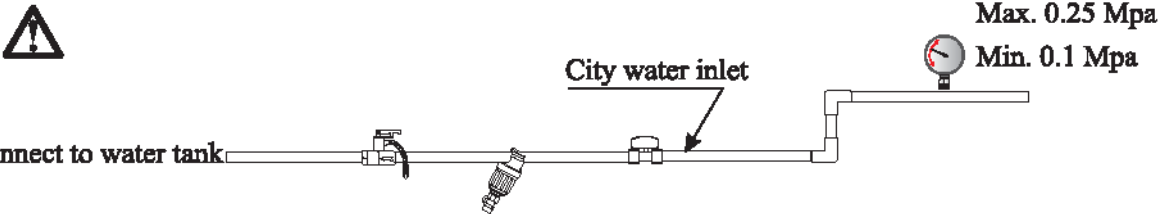


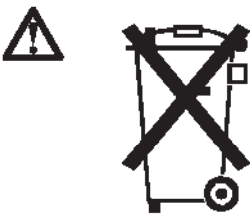
Water or any kind of liquid is strictly forbidden to be poured into the product, or may cause electric creepage or breakdown of the product.

1. Before use

		
<p>When the power cord gets loose or damaged, always get a qualified person to fix it.</p>	<p>Please select the correct fuse or breaker as per recommended. Steel wire or copper wire cannot be taken as substitute for fuse or breaker. Otherwise, damages maybe caused.</p>	<p>Be aware fingers might be hurt by the fin of the coil.</p>

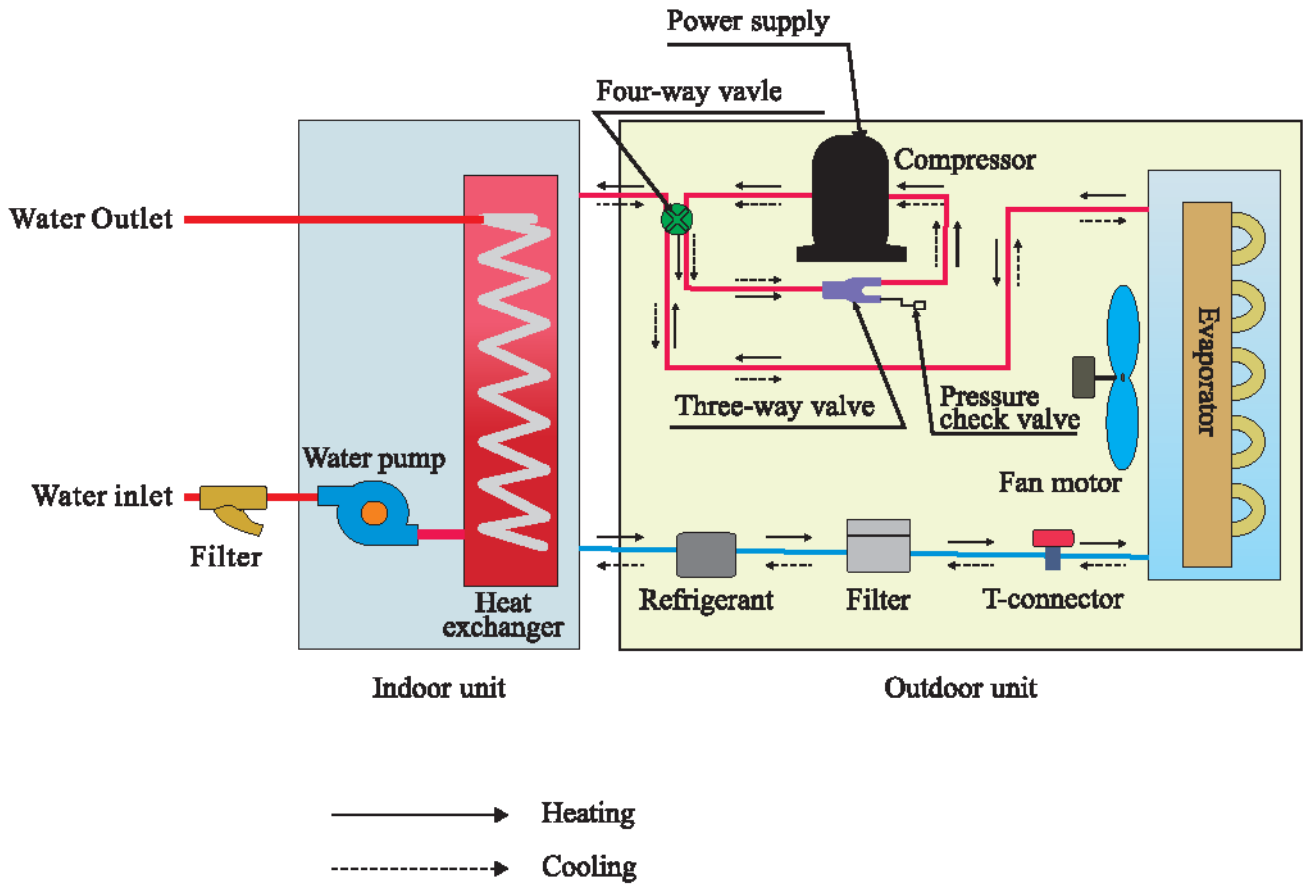
		
<p>It is mandatory to use a suitable circuit breaker for the heat pump and make sure the power supply to the unit corresponds to the specifications. Otherwise the unit might be damaged.</p>	<p>Disposal of Scrap Batteries (if there is) . Please discard the batteries as sorted municipal waste at the accessible collection point.</p>	<p>Installation of a residual current device (RCD) having a rated residual operating current not exceeding 30 mA is advisable.</p>


<p>The maximum inlet water pressure, in pascals: 0.25Mpa. The minimum inlet water pressure, in pascals, if this is necessary for the correct operation of the appliance: 0.1Mpa.</p>

	<p>This marking indicates that this product should not be disposed with other household wastes throughout the EU. To prevent possible harm to the environment or human health from uncontrolled waste disposal, recycle it responsibly to promote the sustainable reuse of material resources. To return your used device, please use the return and collection systems or contact the retailer where the product was purchased. They can take this product for environmental safe recycling.</p>
---	---

1. Before use

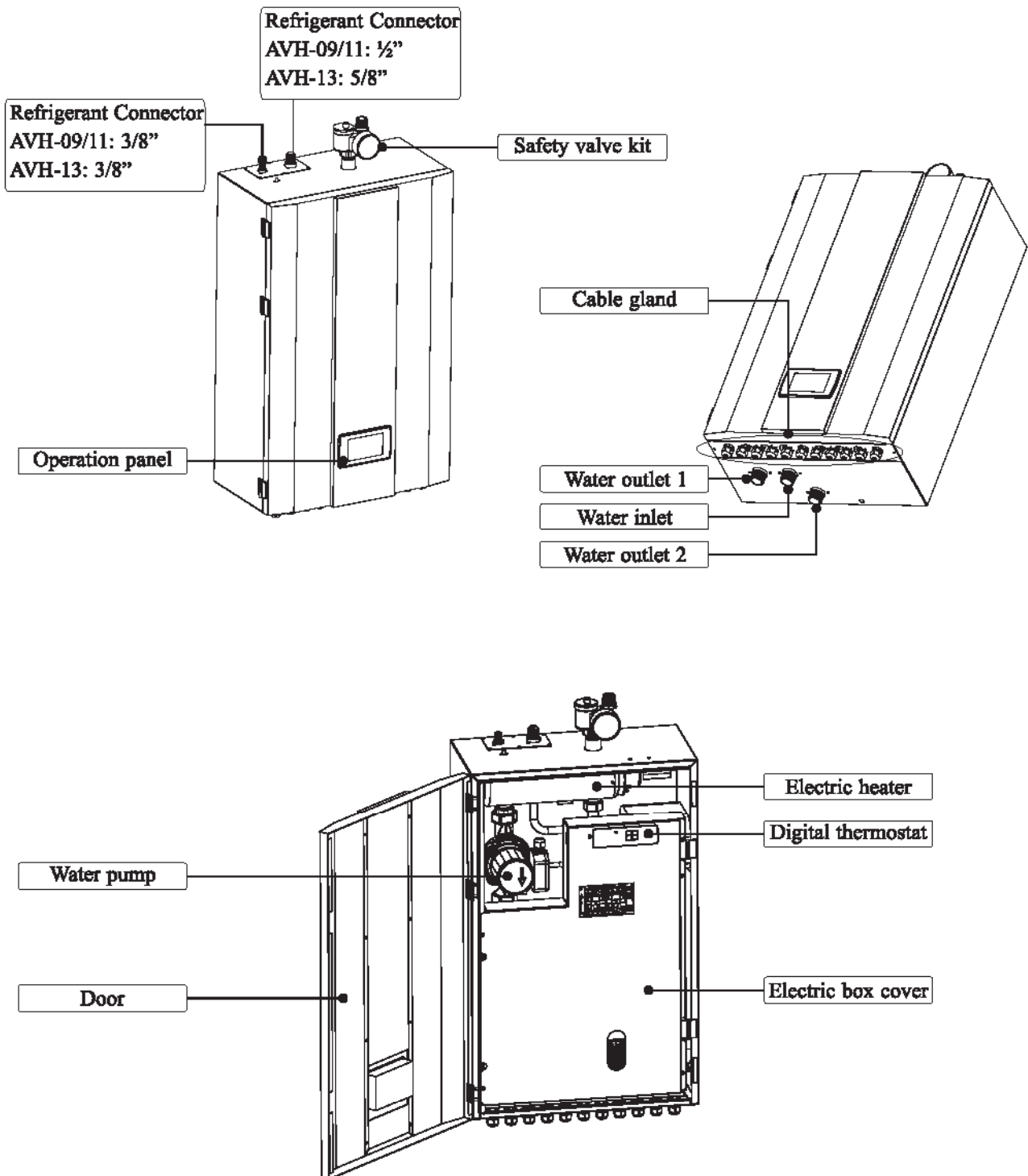
1.2 Working principle



1. Before use

1.3 Main components

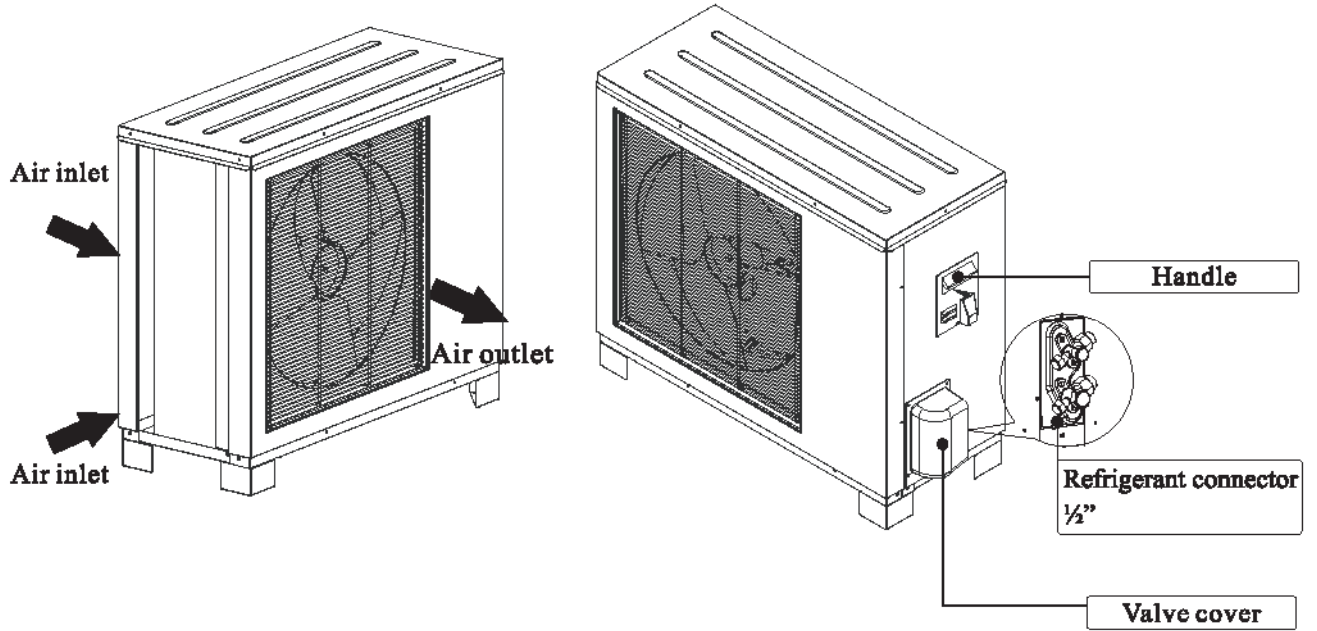
1.3.1 Indoor unit



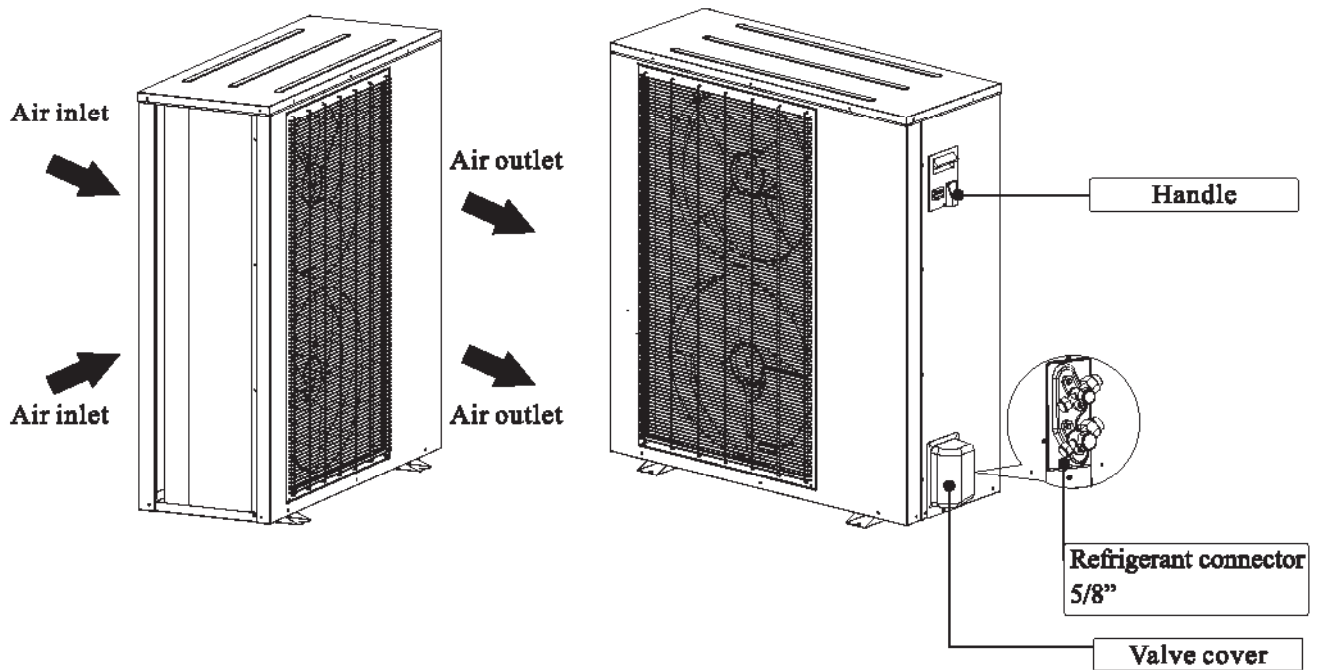
1. Before use

1.3.2 Outdoor unit

AVH-09/11V1DE-II



AVH-13V1DE-II



1. Before use

1.4 Specifications

Type of Product	DC Inverter Air to Water Heat Pump Unit				
Model		AVH-09V1DE- II	AVH-11V1DE- II	AVH-13V1DE- II	
Power Supply	V/Hz/Ph	220-240/50/1			
Refrigerant	Kg	R410A/2.45	R410A/1.9	R410A/3.0	
Max. Heating Capacity (1)	KW	10.10	11.5	12.6	
C.O.P (1)	W/W	4.03	3.82	3.89	
Heating Capacity Min./Max.(1)	KW	4.33/10.10	4.67/11.5	4.2/12.6	
Heating Power Input Min./Max.(1)	W	975/2153	915/3029	926/3072	
C.O.P Min./Max.(1)	W/W	4.02/4.65	3.82/5.05	3.89/4.77	
Max. Heating Capacity(2)	KW	9.53	10.7	11.5	
C.O.P (2)	W/W	3.17	2.95	3.08	
Heating Capacity Min./Max.(2)	KW	4.19/9.53	4.14/10.7	3.76/11.5	
Heating power input Min./Max.(2)	W	1230/2990	1218/3624	1267/3723	
C.O.P Min./Max.(2)	W/W	3.12/3.55	2.95/3.56	2.97/3.28	
Max. Cooling Capacity(3)	KW	6.84	9.2	10.3	
E.E.R (3)	W/W	2.09	2.68	3.29	
Cooling Capacity Min./Max.(3)	KW	4.10/6.84	4.33/9.2	4.29/10.37	
Cooling Power Input Min./Max.(3)	W	1230/3280	993/3465	957/3156	
E.E.R Min./Max.(3)	W/W	2.09/3.32	2.685/4.11	3.29/4.63	
Max. Cooling Capacity(4)	KW	5.05	6.74	7.9	
E.E.R(4)	W/W	1.58	2.15	2.63	
Cooling Capacity Min./Max.(4)	KW	2.34/5.05	2.17/6.74	2.34/7.91	
Cooling Power Input Min./Max.(4)	W	1080/3200	924/3132	1000/3012	
E.E.R Min./Max.(4)	W/W	1.58/2.40	2.15/3.0	2.33/3.12	
Circuit Max. Pressure	bar	42			
Rated Power Water Pump	W	87			
Compressor	Type	Twin Rotary			
	Quantity/System	1			
	Oil	FV50S			
Fan	Quantity	1	1	2	
	Airflow	m ³ /h	3000	3100	4100
	Rated Power	W	60		120
Allowable Fan Flow	Face Area	m ²	0.542	0.871	1.5
	Row-Fins/Inch		2 Rows-14		
	Tube.Dia	Inch	3/8 O.D		
Noise Level	Indoor/Outdoor	dB (A)	30/56		30/59

1. Before use

Type of Product		DC Inverter Air to Water Heat Pump Unit			
Model			AVH-09V1DE-II	AVH-11V1DE-II	AVH-13V1DE-II
Water Side Heat Exchanger	Type		Plate Heat Exchanger		
	Material		Stainless Steel+Copper		
	Water Pressure Drop	Kpa	23	23	26
	Piping Connection	Inch	G1"		
Allowable Water Flow	Min. Water Flow		0.26	0.31	0.37
	Rated Water Flow	L/S	0.43	0.52	0.61
	Max. Water Flow		0.51	0.62	0.73
Net Dimension (L×D×H)	Outdoor Unit	mm	934×354×753	1044×414×763	1123×400×1195
	Indoor Unit	mm	790×288×505	790×288×505	790×288×505
Packing Dimension (L×D×H)	Outdoor Unit	mm	990×440×810	1150×500×815	1330×490×1330
	Indoor Unit	mm	970×350×590	970×350×590	970×350×590
Net Weight	Outdoor Unit	Kg	62.5	75	113
	Indoor Unit	Kg	45		
Packing Weight	Outdoor Unit	Kg	72.5	80	123
	Indoor Unit	Kg	50		
Operating Ambient Temp. range	Heating	℃	-25~46		
	Cooling	℃	0~55		
Operating Inlet Water Temp. range		℃	7~75		
Water Volume		Kg	4.5		

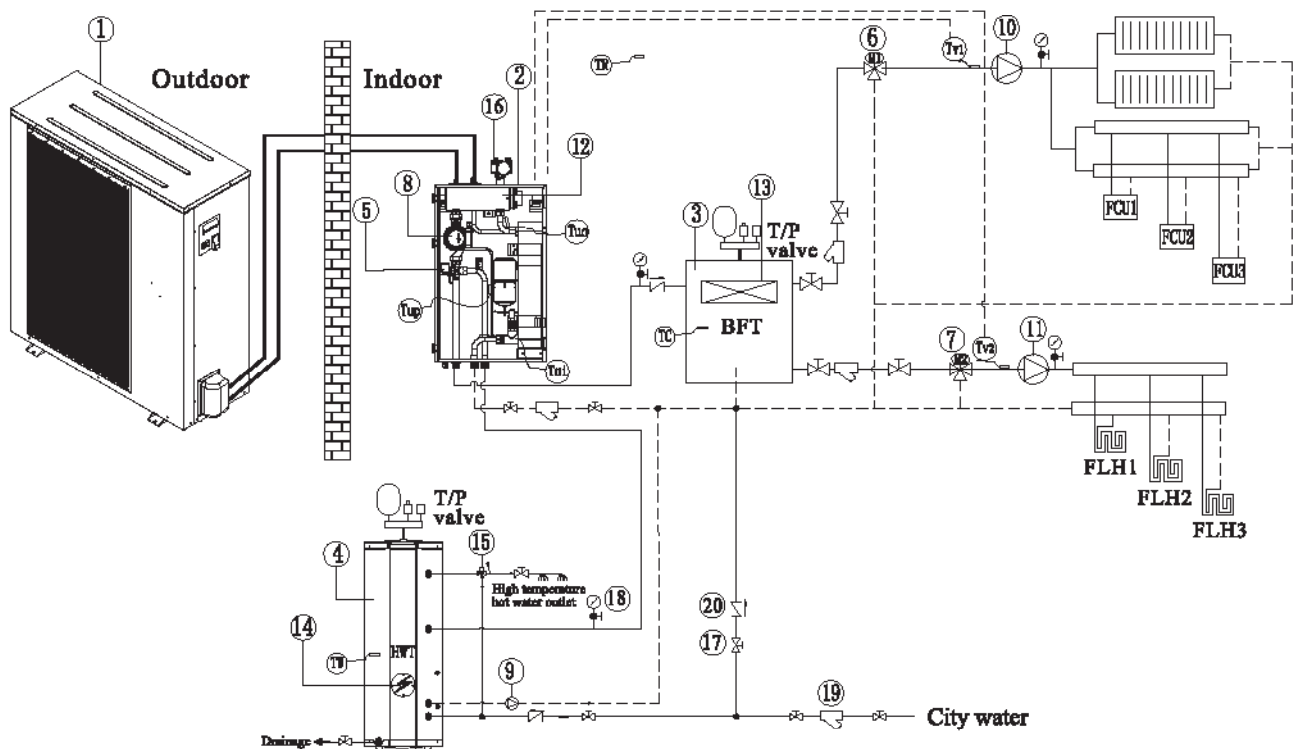
NOTE:

- (1) Heating condition: water in/out temperature:30℃/35℃, ambient temperature:DB/WB 7/6℃;
- (2) Heating condition: water in/out temperature:40℃/45℃, ambient temperature:DB/WB 7/6℃;
- (3) Cooling condition: water in/out temperature:23℃/18℃, ambient temperature:35℃;
- (4) Cooling condition: water in/out temperature:12℃/7℃, ambient temperature:35℃.
- (5) The specifications are subject to change without prior notice.

For actual specifications of the unit, please refer to the specification stickers on the unit.

2. Installation

2.1 General application system introduction



Item	Name
1	Outdoor
2	Indoor
3	Buffer tank
4	Sanitary hot water storage tank
5	3-way diverting valve
6	Mixture valve 1 (0~10V) for circuit 1
7	Mixture valve 2 (0~10V) for circuit 2
8	Circulation pump
9	Sanitary hot water circulation pump(if need)
10	Circulation pump for distribution circuit 1
11	Circulation pump for distribution circuit 2
12	AH-Auxiliary heater inside unit
13	HBH-Heating Back-up Heater
14	HWTBH-Hot Water Tank Back-up Heater
15	Sanitary hot water mixture valve

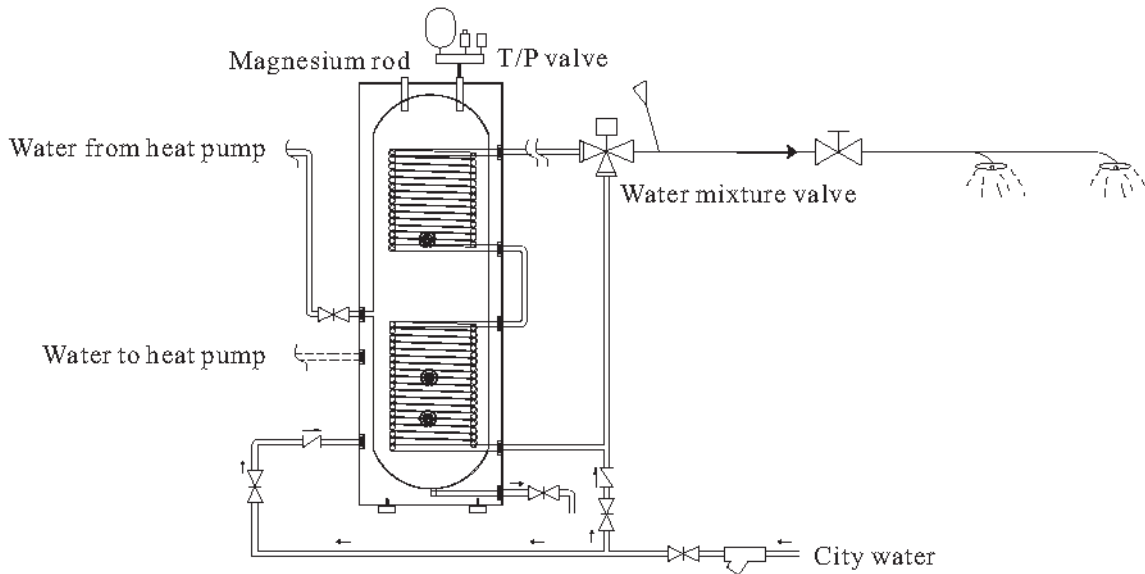
Item	Name
16	Safety valve kit
17	Ball valve
18	Pressure meter
19	Filter
20	One-way valve
TW	Hot water temperature
TC	Cooling or heating water temperature
TR	Room temperature
Tuo	Indoor unit outlet water temperature
Tui	Indoor unit return water temperature
Tup	Indoor unit coil temperature
Tv1	Temperature of water after mixture valve 1
Tv2	Temperature of water after mixture valve 2

2. Installation

2.1.1 Sanitary hot water

Water outlet 2 is the water outlet for sanitary hot water. For safety purpose, it is recommended to set up the sanitary hot water system as shown below:

1) Application 1



After heat pump is connected directly with the tank, city water will be heated up by hot water in the tank when it runs through a long coil inside the tank.

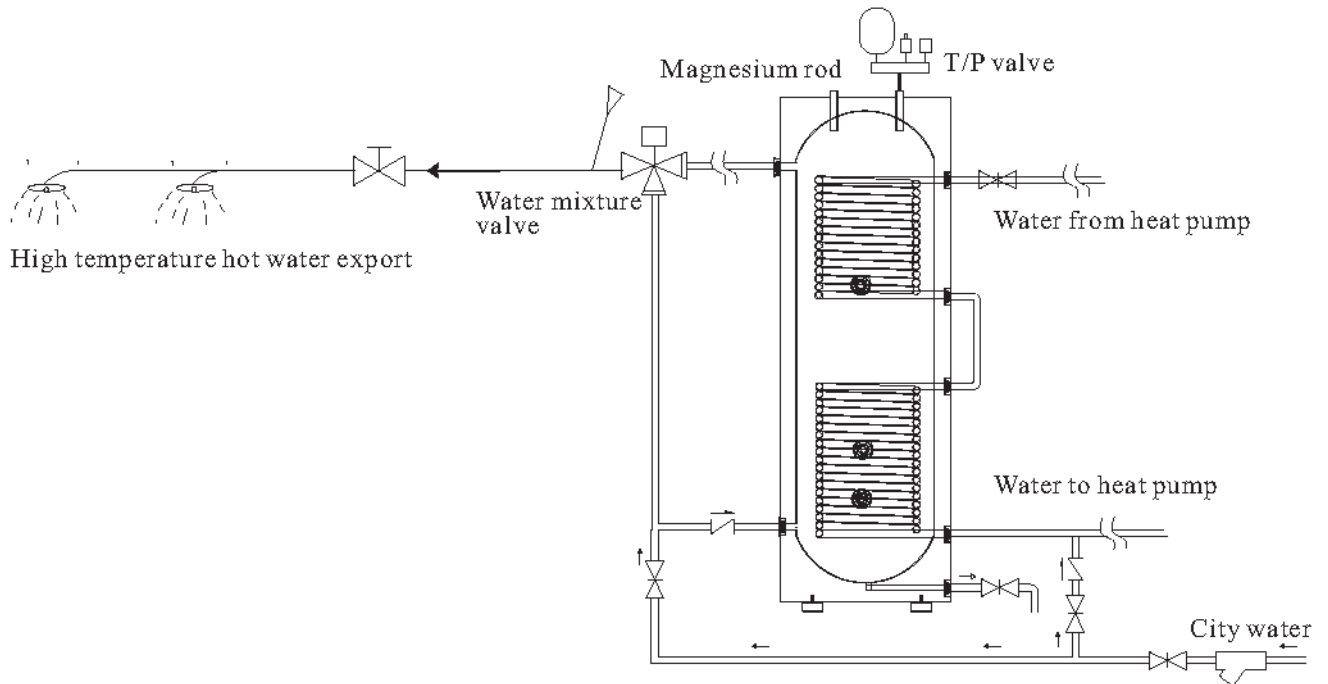
Disadvantage of this application is that heat is transferred from hot water in the tank to city water in the coil, thus it will have less volume of sanitary hot water available compared with other solutions.

The advantages of this application is:

- A. Heat pump is connected with tank directly, so it can effectively ensure the water flow rate inside heat pump system.
- B. Sanitary hot water is heated up by going through the coil, which makes it unnecessary to have sanitization. This will help the system save more energy.

2. Installation

2) Application 2



By connecting the set of coil with heat pump directly, the safety of sanitary hot water inside the tank, is also ensured.

However, the capacity of the coil should be bigger than the maximum output of the unit (heat pump output at A7/W45). Usually this solution is used for working together with a heat pump whose capacity is less than 14kW.

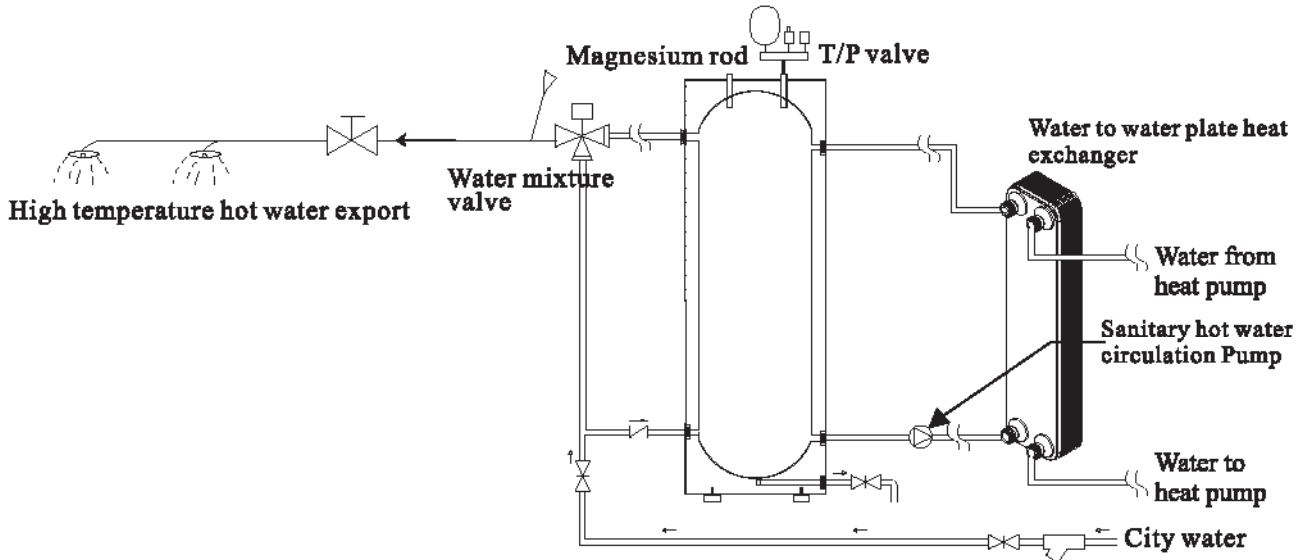
The advantage of this application is that it can supply bigger volume of hot sanitary hot water.

The disadvantage of this application is that this coil may create big water flow resistance to heat pump water circuit. Thus it may need to add a secondary water pump to ensure the flow rate of heat pump unit. Otherwise it may affect unit efficiency or make the unit work improperly.

2. Installation

3) Application 3

A water to water plate heat exchanger can be used instead of the coil inside water tank, as shown below:

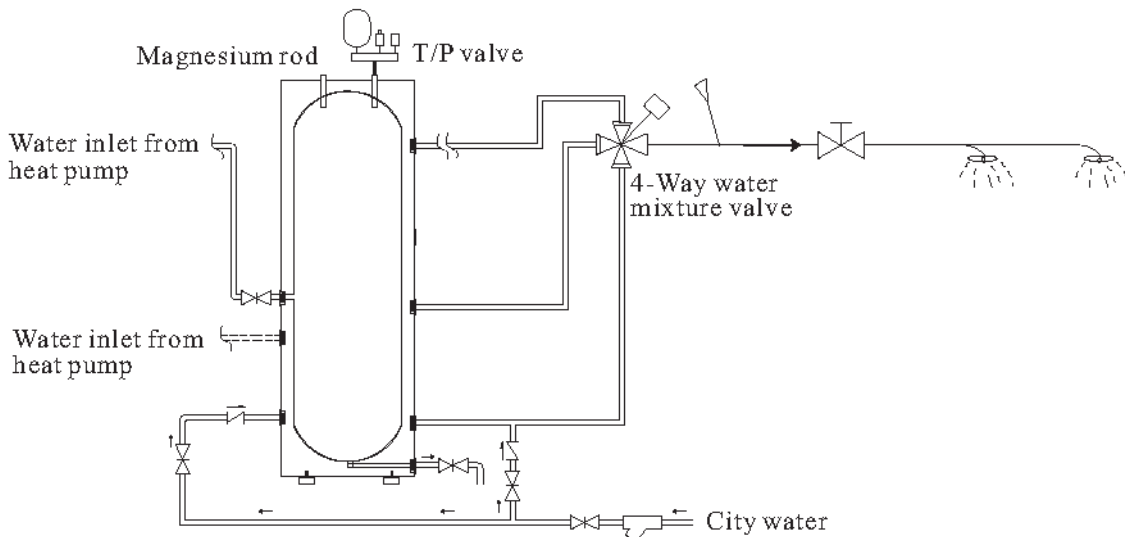


Note: Sanitary hot water circulation pump can be connected to "P3" port in heat pump unit so to under the control of heat pump unit.

With this application, it can not only ensure the volume of high temperature hot water, but also ensure the water flow rate of heat pump system. But the total cost will be higher than other two applications due to the cost the plate heat exchanger.

For all these three applications, it is recommended to add a manual mixture valve between city water inlet and water tank sanitary hot water outlet. This can maximize the utilization of hot water in the tank and also ensures its temperature won't be too high to burn people.

If the structure of the tank permits, it is suggested to use a manual 4-way mixture valve in sanitary hot water system as shown below. This can further improve the utilization of hot water in the tank.



2. Installation

2.1.2 Heating/cooling distribution system

Note:

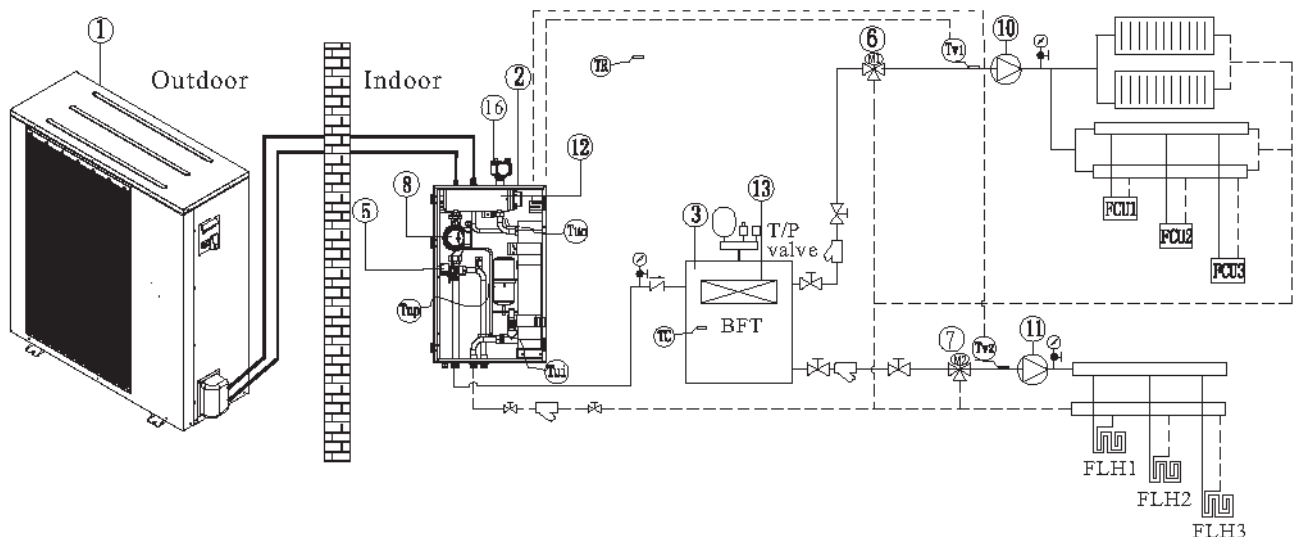
Buffer tank is always recommended to be included in the system, especially when the distribution system has water volume less than 20L/W. It should be installed between heat pump and distribution system, in order to:

- 1) Ensure heat pump unit has stable and enough water flow rate.
- 2) Store heat to minimize fluctuation of system heating/cooling load.
- 3) Extend the water volume of distribution system for proper working of heat pump unit.

If distribution system has enough water volume and can ensure the water flow rate of heat pump system, buffer tank can be excluded in the system. But in this way, please move temperature sensor Tc (Cooling/heating temperature sensor) to water return pipe to minimize the fluctuation of water temperature caused by compressor speed changes.

Different application system illustrations:

With radiator system for house heating only:



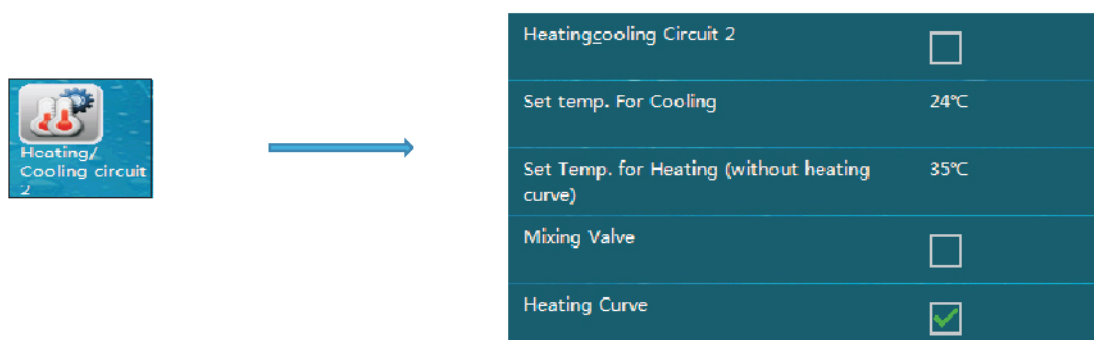
2. Installation

2.1.3 Heating&Cooling Circuits:

This heat pump unit can control two totally different heating/cooling circuit, as shown in the drawing.

Temperature setting can be made via menu “Heating & Cooling Circuit 1” and “Heating & Cooling Circuit 2”.

Of course, if only one circuit is needed, “heating&cooling circuit 2” in system drawing can be omit, and leave the “Heating&cooling Circuit 2” under “heating&cooling circuit 2” set to OFF:



2.1.4 Heating & Cooling Circuit 1



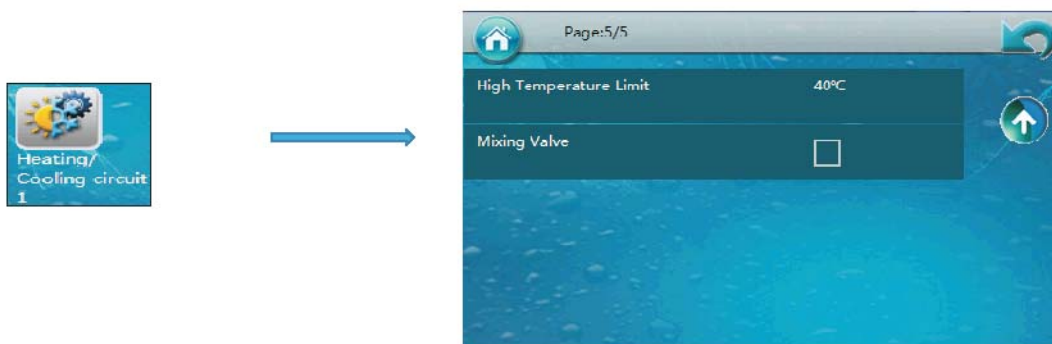
Control of Mixing Valve 1(MV1):

If system water temperature may higher(lower) than temperature that are need for circuit 1 in heating (cooling) operation, then a mixing valve can be add to circuit 1, and connected to MV1 port in indoor unit.

Unit will control the mixing valve, mix the supply and return water of circuit 1 to have the temperature read via sensor TV1 get to value set under menu “Heating & Cooling Settings circuit1”.

If so, TV1 under menu ““Heating & Cooling circuit1” should be activated under installer’s level:

2. Installation



Note: If TV1 is not connected, while it is activated via setting here, unit will show relative failure code.

2.1.5 Heating & Cooling circuit 2

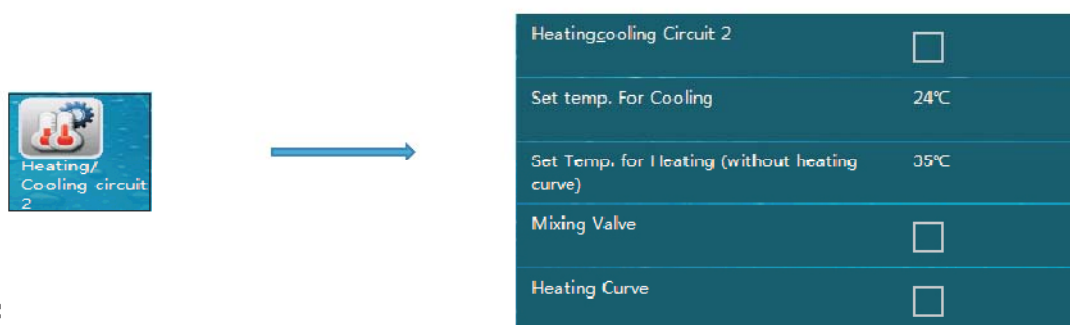
Control of Mixing Valve 2(MV2):

If system water temperature may higher(lower) than temperature that are need for circuit 2 in heating (cooling) operation, then a mixing valve can be added to circuit 2, and connected to MV2 port in indoor unit.

Unit will control the mixing valve, mix the supply and return water of circuit 2 to have the temperature read via sensor TV2 get to value set under menu “Heating & Cooling Settings circuit 2”.

If so, TV2 under menu “Heating & Cooling Settings circuit 2” should be activated under installer’s level:

Note: If TV2 is not connected, while it is activated via setting here, unit will show relative failure code.



Tips:

When Mixing valve is needed?

In general, if system water temperature may higher(lower) than temperature that are need for this circuit, then a mixing valve is needed.

A.If a system has two circuits, these two circuits may require different water temperatures. Heat pump has to take the higher(lower) setting among two circuits as the set temperature for heat pump when it works in heating(cooling). Thus, a mixing valve is needed for the circuit that with lower(higher) setting to ensure it gets water with correct temperature circulates in the circuit.

B.If a system has other heating source inside that is out the control of heat pump (e.g. Solar system), as the actual water temperature may exceed the set temperature of heat pump, a mixing valve is also needed to ensure the circuit gets water with correct temperature circulates in the circuit.

2. Installation

Control of Circulation Pump for circuit 1&2:



P2 for Cooling Operation	<input type="checkbox"/>
P2 with High Temp. Demand	<input type="checkbox"/>
Buffer Tank	<input type="checkbox"/>
P1 for Heating Operation	<input type="checkbox"/>
P1 for Cooling Operation	<input type="checkbox"/>
P1 with High Temp. Demand	<input type="checkbox"/>
P2 for Heating Operation	<input type="checkbox"/>

“With/without Buffer Tank”: Set whether it has a buffer tank between heat pump unit and distribution system or not.

“P1 for Heating Operation” means circuit pump for circuit 1 should work for heating operation.

“P1 for Cooling Operation” means circuit pump for circuit 1 should work for cooling operation.

“P2 for Heating Operation” means circuit pump for circuit 2 should work for heating operation.

“P2 for Cooling Operation” means circuit pump for circuit 2 should work for cooling operation.

If “without buffer tank” is set, both P1 (circulation pump for circuit 1) and P2 (circulation pump for circuit 2) will only work when compressor is working in the same mode as the pump is set to. For example, if P1 is set to “P1 for Heating Operation”, P1 will be turned ON only when compressor is working in heating mode. If both “P1 for Heating Operation” and “P1 for Cooling Operation” are both selected, P1 will be turned ON when compressor is working in both heating and cooling mode. When heat pump switches to DHW mode or stops after get the set temperature for heating or cooling, pump stops.

If “with buffer tank” is set, both P1 (circulation pump for circuit 1) and P2 (circulation pump for circuit 2) will work once the distribution system has the heating or cooling demand, as per the pump setting, and obeys following rules:

Actual temperature in buffer tank detected via $T_c \geq 20^\circ\text{C}$ in heating. Only 20°C and above can be useful for distribution system in heating operation.

Actual temperature in buffer tank detected via $T_c \leq 23^\circ\text{C}$ in cooling. Only 23°C and below can be useful for distribution system in cooling operation.

For example, if P1 is set to “P1 for Heating Operation”, P1 will start to work as long as the system has heating demands and T_c reading is no lower than 20°C , even if the unit is working in DHW mode or stops after get the set temperature.

“Working of P1(2) with High Demanding Signal” means whether P1(P2) should stop if signal for “high demanding” is off. For detailed meaning of “High Demanding Signal”, please refers to part “D” of “Terminal Block 4” of chapter “2.5.1”, “High demanding distribution system switch”.

2.1.6 Room temperature sensor:

Room temperature sensor (T_r) is recommended to be placed in a ideal position of the house to check the room temperature. Thus the unit can have room temperature control mode (please refers to 9.04 Basic Operation), and room temperature compensate function (please refers to 1.16 Room temp. effect on Heating Curve).

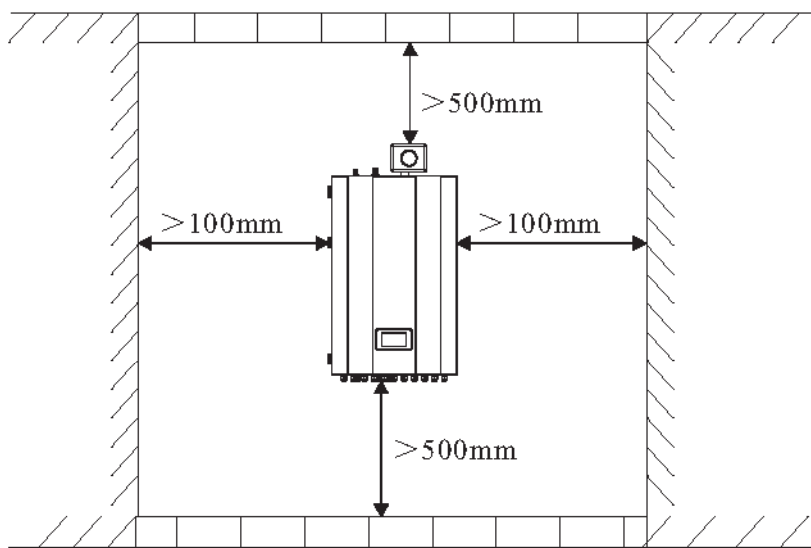
2. Installation

2.2 Installation of the indoor unit

2.2.1 Installation notes

- 1) The indoor unit should be installed indoors and mounted on the wall, with water outlet downwards.
- 2) The indoor unit shall be placed in dry and well-ventilated environment.
- 3) Indoor unit mustn't be installed in an environment where volatile, corrosive or flammable liquid or gas exists.
- 4) It's recommended to install indoor unit close to water supply system.
- 5) Enough space should be left around the indoor unit for further maintenance.

Please choose a suitable position to install the indoor unit as follows:

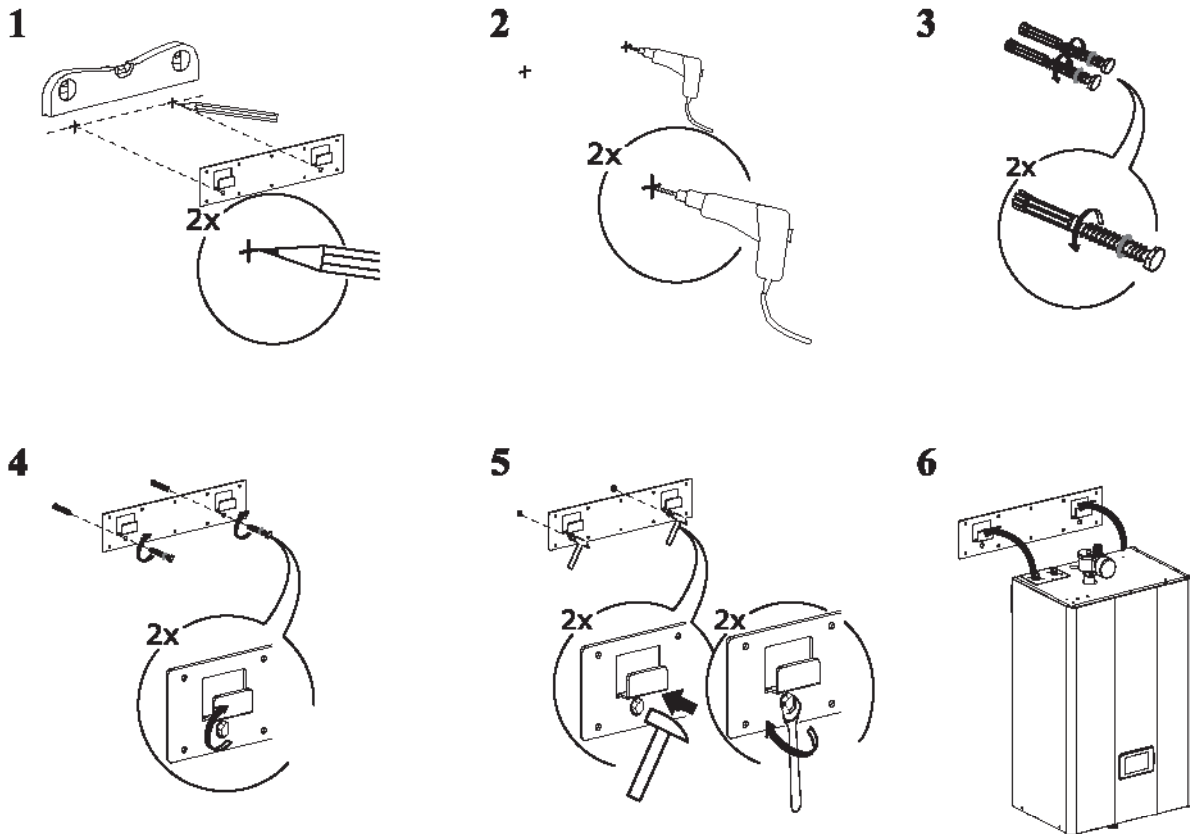


2.2.2 Installation

Indoor unit should be mounted on the wall as per procedures below:

- 1) Take out the expansion bolts and mounting board from accessory and put the mounting board on the wall horizontally; Mark on the wall the location for bolts through the holes on mounting board.
- 2) Drill holes with proper diameter for expansion bolts.
- 3) Unscrew the nuts out from the expansion bolts.
- 4) Fix the mounting board on the expansion bolts a little bit, but don't be too tight.
- 5) Use a hammer to pound the expansion bolts into the drilled holes. Fasten the nuts by turning the wrench to fix the mounting board on the wall.
- 6) Hang the indoor unit onto the mounting board and make sure it's placed well before you let go your hands. The installation is finished.

2. Installation



Note:

You must choose very firm wall for installation otherwise the bolts may get loose and unit be damaged!

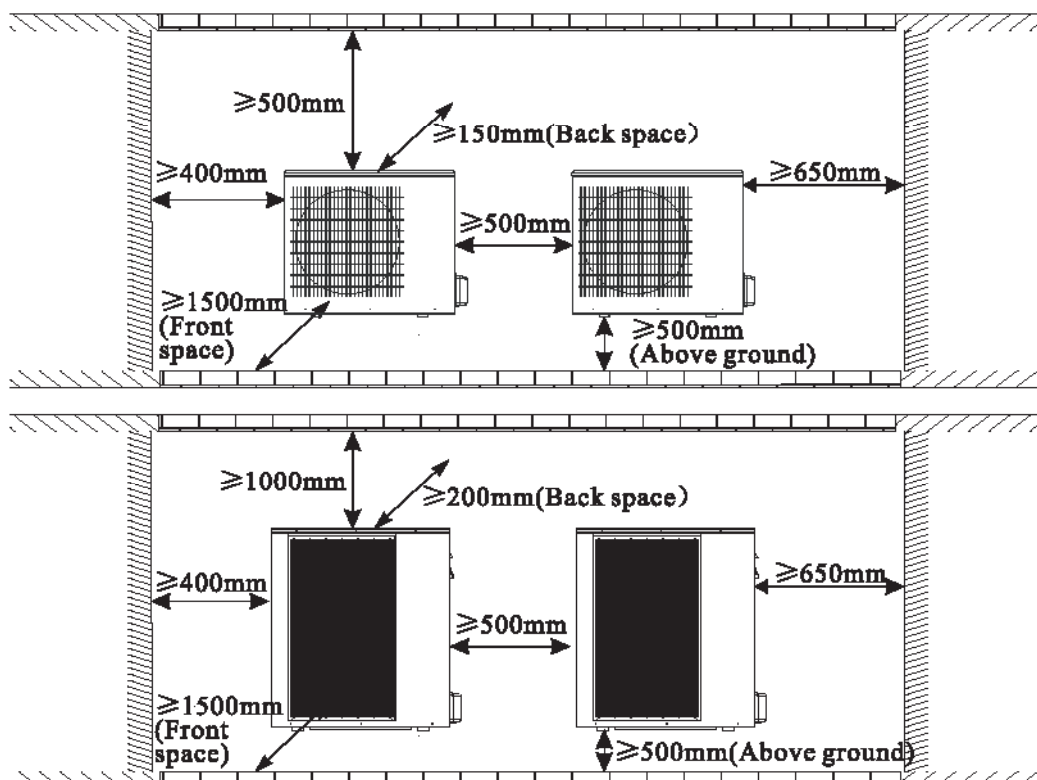
☞ If it's wood wall, please use self-tapping screws in accessory instead of expansion bolts. Please hang the mounting board directly onto the wood wall without drilling holes. The wood wall must be firm enough. Wood walls that are too thin, too brittle or humid are not adequate for installation.

2. Installation

2.3 Installation of the outdoor unit

2.3.1 Installation notes

- 1) The outdoor unit can be located in a open space, corridor, balcony, and roof or hanged on the wall.
- 2) The outdoor unit shall be placed in dry and well-ventilated environment; If the outdoor unit is installed in humid environment, electronic components may get corroded, or short-circuited because of heavy humidity.
- 3) Outdoor unit mustn't be installed in an environment where volatile, corrosive or flammable liquid or gas exists.
- 4) Please don't install outdoor unit close to bedroom or living room, because there is some noise when it's running.
- 5) When installing the unit in harsh climatic conditions, sub-zero temperatures, snow, humidity..., please raise the unit above the ground by about 50cm.
It's recommended to install an awning above the outdoor unit, to protect the snow from clogging in the air inlet and outlet and ensure the normal running.
- 6) Please ensure there is drainage system around the location, to drain the condensate water under defrosting mode.
- 7) When installing the unit, tilt it by 1cm/m for rain water evacuation.
- 8) Install outdoor unit far away from the exhaust port of kitchen, to avoid oil smoke entering into outdoor unit and adhering to heat exchanger. It's hard to clean up.
- 9) Please don't install the indoor and outdoor unit in damp locations, otherwise it may cause short-circuit or corrosion of some components. The unit should be free from corrosive and moisture surrounding. Otherwise the lifetime of the unit might be shortened.
- 10) Please ensure enough space around the outdoor unit, for better ventilation and maintenance.
Please refer to the illustration below.

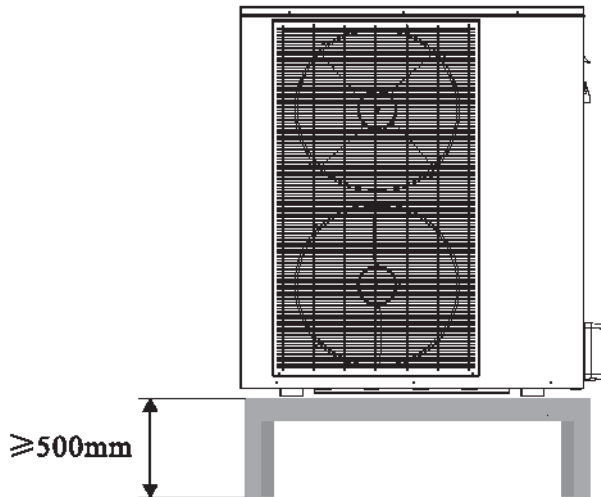


2. Installation

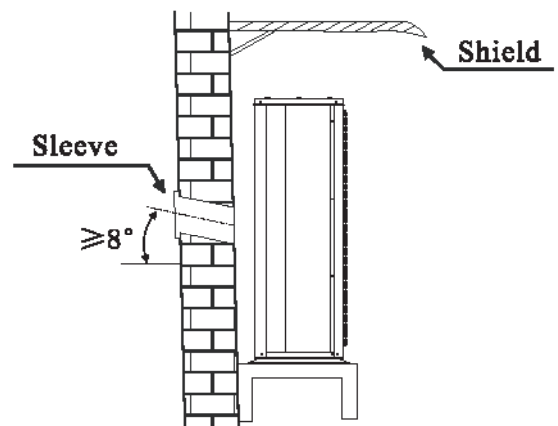
2.3.2 Installation

User can either use the dedicated mounting bracket from the supplier, or prepare a suitable bracket for the unit installation. Make sure the installation meets following requirements:

- 1) The unit must be installed on flat concrete blocks, or a dedicated mounting bracket. The bracket should be able to support at least 5 times of unit's weight.
- 2) All nuts must be tightened after the bracket is fixed; otherwise, it may cause damage to the equipment.
- 3) User should double check and make sure the installation of unit is firm enough.
- 4) The bracket can be of stainless steel, galvanized steel, aluminum and other materials as required by the user.
- 5) Besides the mounting bracket, the user can also install the outdoor unit on two concrete blocks, or a raised concrete platform. Please make sure that the unit is securely fastened after installation.
- 6) Please see the dimensions of outdoor unit when choose a suitable wall bracket.



- ◆ Hole for piping kits should lean to outside a little bit (≥ 8 degrees), to keep rain water or condensate water from flowing back indoors.















2. Installation




2.4 Accessories



Accessories below are delivered together with the product .
Please check in time. If there is any shortage or damage, please contact local distributor.

Name	Quantity	Picture
User's manual	1	
Drain pipe	1	
Safety valve kit	1	

Name	Quantity	Picture
TR-Room temperature sensor + communication cable	1	 
TC-water temperature sensor for cooling and heating + communication cable	1	 
TW-water temperature sensor for sanitary hot water + communication cable	1	 
TV1-water temperature sensor after mixture valve 1 + communication cable TV2-water temperature sensor after mixture valve 2 + communication cable	1	 
Communication cable between indoor and outdoor unit	1	

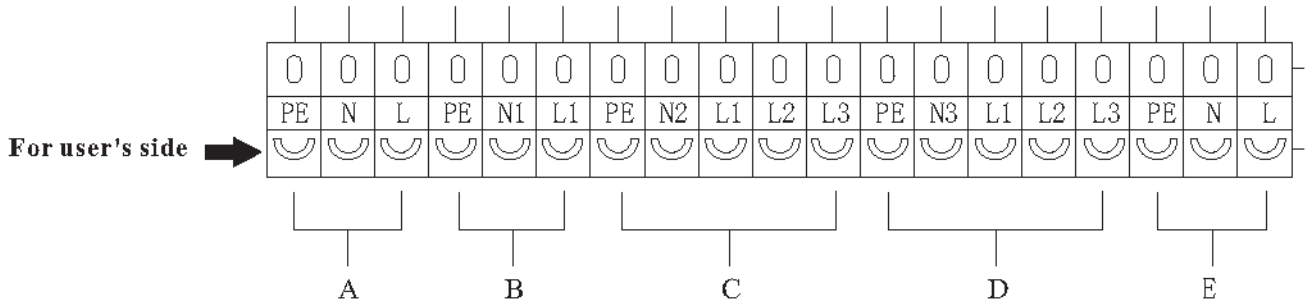
Name	Quantity	Picture
Indoor unit bracket	1	
Expansion bolts	2	
Screws	10	

2. Installation

2.5 Wiring

2.5.1 Explanation of terminals

1) Terminal block 1

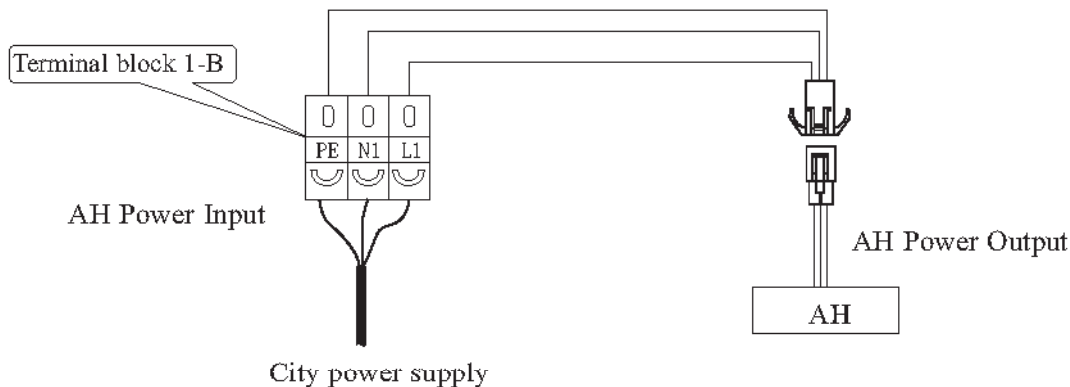


A: Unit power supply $3 \times 2.5\text{mm}^2$

Unit power supply. Should be connected to city power supply.

B: Power supply for AH-Auxiliary heater inside unit ($3 \times 1.5\text{mm}^2$, city power input)

This should be connected to city power supply, 1 phase. It is for giving the power to auxiliary heater inside the indoor unit.

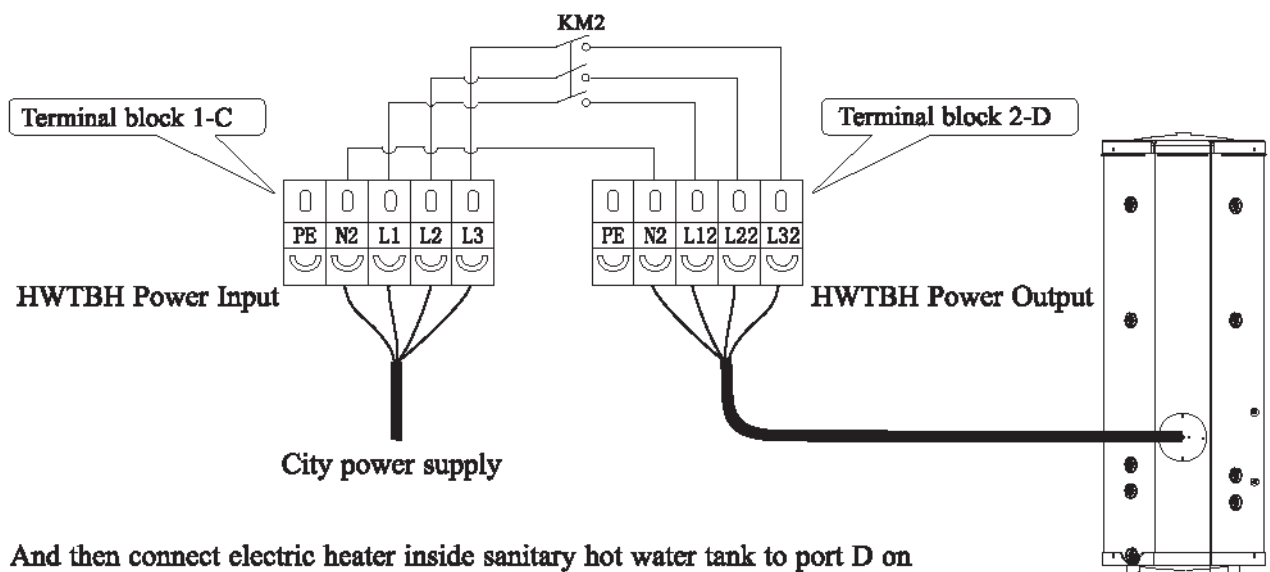


C: Power supply for HWTBH-Hot Water Tank Back-up Heater ($3 \times 1.5\text{mm}^2$, city power input)

If sanitary hot water tank has electric heater inside, one can connect this heater to heat pump unit, so to have it under the control of heat pump.

In that way, city power input (1 phase or 3 phase) should be connected to this port "Electrical Heater Power Supply for Hot Water with cable dimension depending on the El. Heater type".

2. Installation



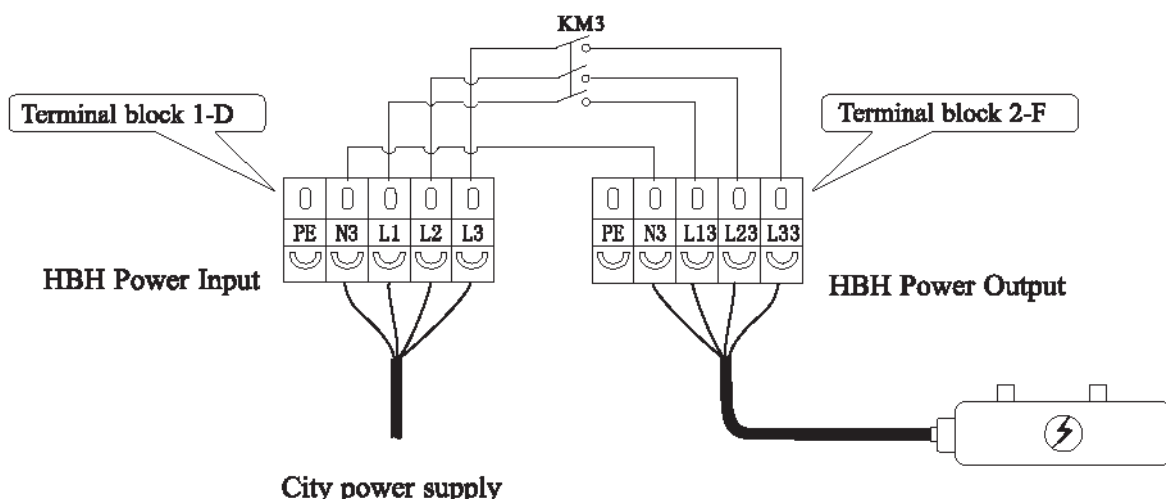
And then connect electric heater inside sanitary hot water tank to port D on terminal block 2.

D: Power supply for HBH-Heating Back-up Heater ($5 \times 1.5\text{mm}^2$, city power input)

When the house heating system also has a electric heater as a back-up, then this heater can also be connected to heat pump unit and under heat pump's control.

In that way, city power input (1 phase or 3 phase) should be connected to this port "Reserved Electrical Heater Power Supply $5 \times 1.5\text{mm}^2$, and then heater should be connected to port E on terminal block 2.

PS: If external heating source (on house heating circuit or hot water circuit) is not electric heater but other heating sources, we can also connect it to the heat pump like this if they can be controlled by electric signal, to have them under the control of heat pump.

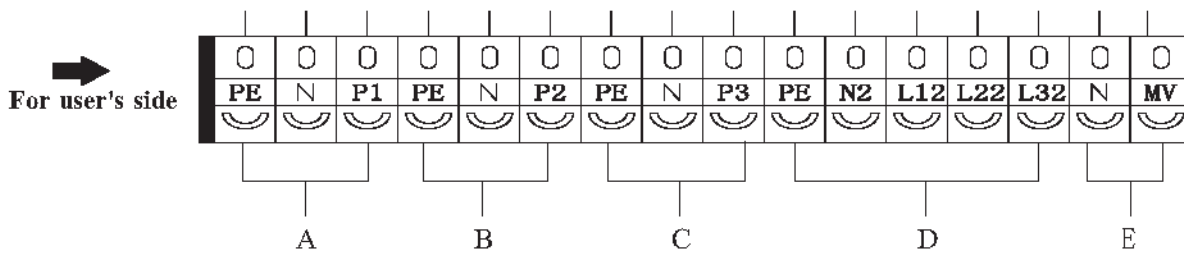


E: Outdoor unit power supply ($3 \times 2.5\text{mm}^2$, output)

Outdoor unit power cable should be connected with these terminals so to get power from indoor unit.

2. Installation

2) Terminal block 2



A, B, C: Water Pump

- A-Pump 1: Pump for Heating & Cooling Circuit 1,
- B-Pump 2: Pump for Heating & Cooling Circuit 2,
- C-Pump 3: Pump for sanitary hot water production

If there is an external water pump in heating, cooling and hot water system, it can be connected to these ports, to be under the control of heat pump,

D: Power supply for HWTBH-Hot Water Tank Back-up Heater (power output)

Refer to explanation of port C of terminal block 1.

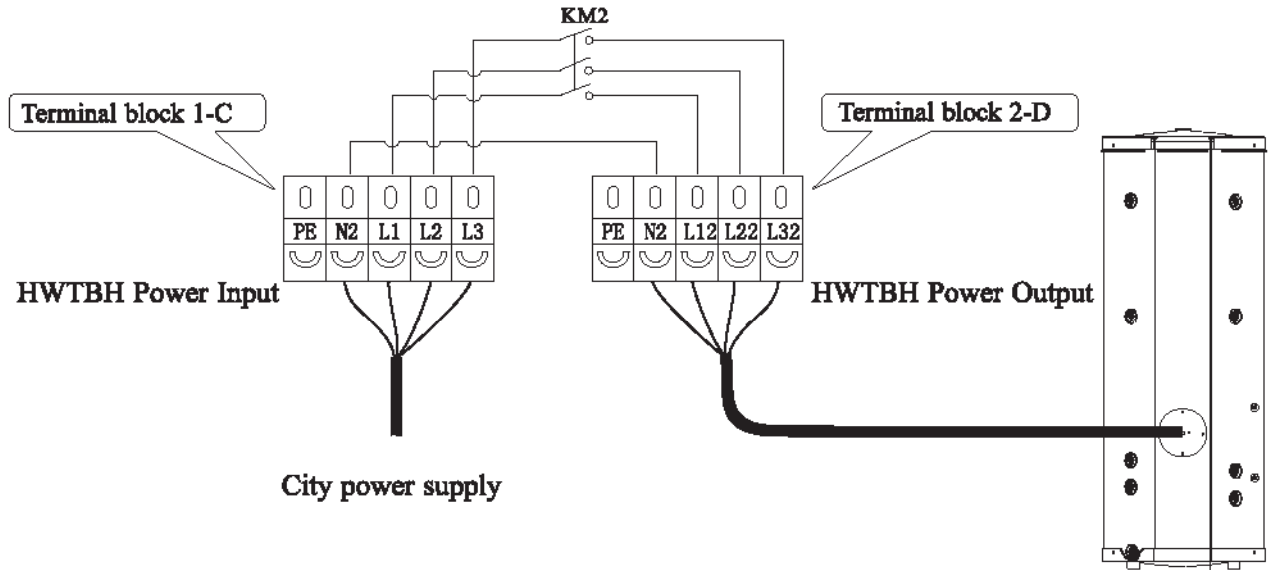
E: Valve

3-way motorized valve diverting the water.

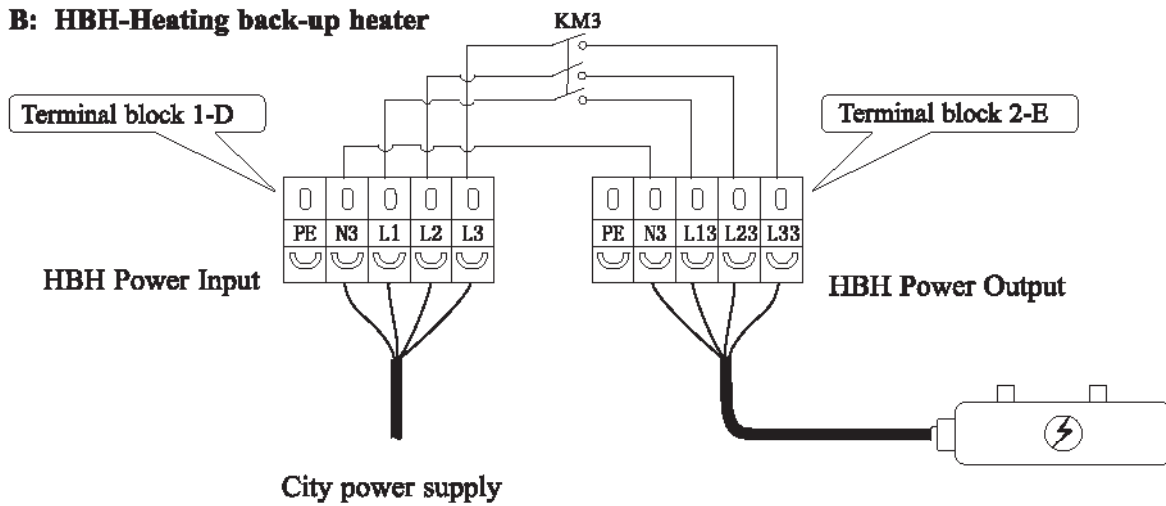
2. Installation

Explanation of connectors for other heating sources

A: HWTBH-Hot water tank back-up heater

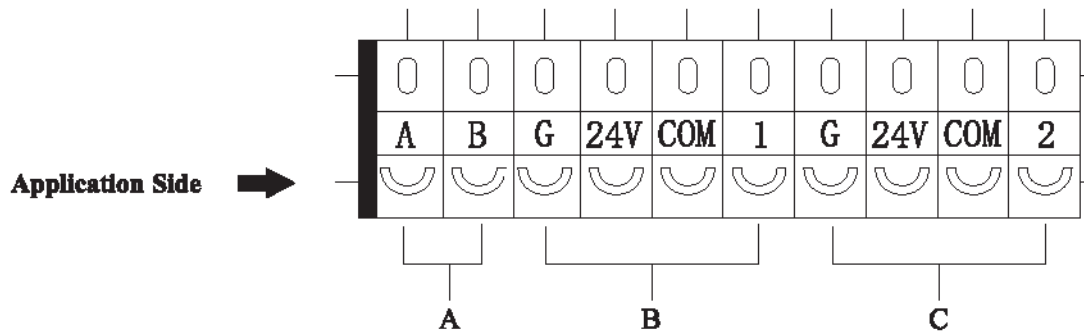


B: HBH-Heating back-up heater



2. Installation

3) Terminal block 3



A: Communication cable to outdoor unit

Please connect A and B together with A and B on outdoor unit.

B,C: Motorized mixing valve 1&2:

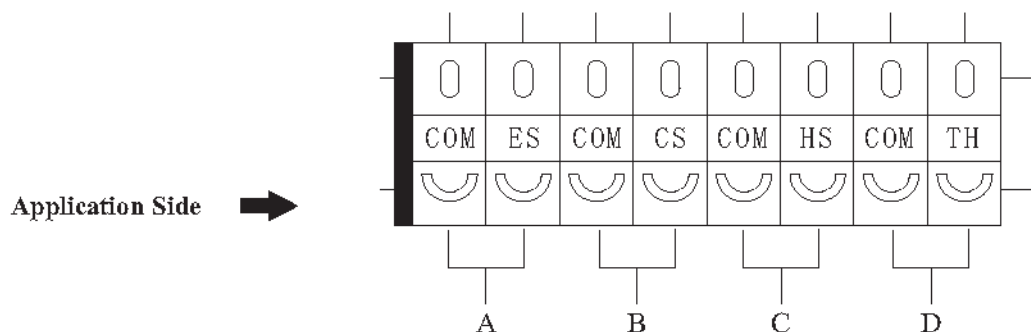
As explained in System illustration chapters, this unit can have two water mixture valves for distribution system under its control.

Water mixture valve 1 is for Heating & Cooling circuit 1.

Water mixture valve 2 is for Heating & Cooling circuit 2

2. Installation

4) Terminal block 4



A: Electrical Utility Lock Input

Some electricity companies offer a special rate if the house power consumption is lowered to a certain value during peak time. If the unit is supposed to stop working during this period, one can connect the signal from electricity company to this “External Shutdown” port and use the parameter setting to activate this function.

B, C: Cool model & heat mode switch-over

This unit can switch over between heating and cooling functions automatically, according to ambient temperature, or external signal input.

For ambient temperature switching, please refer to part 1.06 of introduction of user’s interface for detailed setting.

For external signal input, external signal should be connected to “COOL MODEL SWITCH” for cooling operation, and “HEAT MODE SWITCH” for heating operation.

D: High demanding distribution system switch

- ◆ When two heating distribution systems are connected, unit should always take the set temperature for high demanding circuit, which needs higher temperature in heating and lower temperature in cooling operation, as the set temperature for the heat pump unit.
- ◆ However, when this high demanding circuit is not needed or has reached the set temperature, heat pump unit can switch the heat pump set temperature to the values set for the other circuit, for better efficiency.
- ◆ This set of connector is used to receive the signal from high demanding circuit, if has.
- ◆ When "CLOSE" signal is received, unit works with high demanding.
When "OPEN" signal is received, unit works with low demanding.

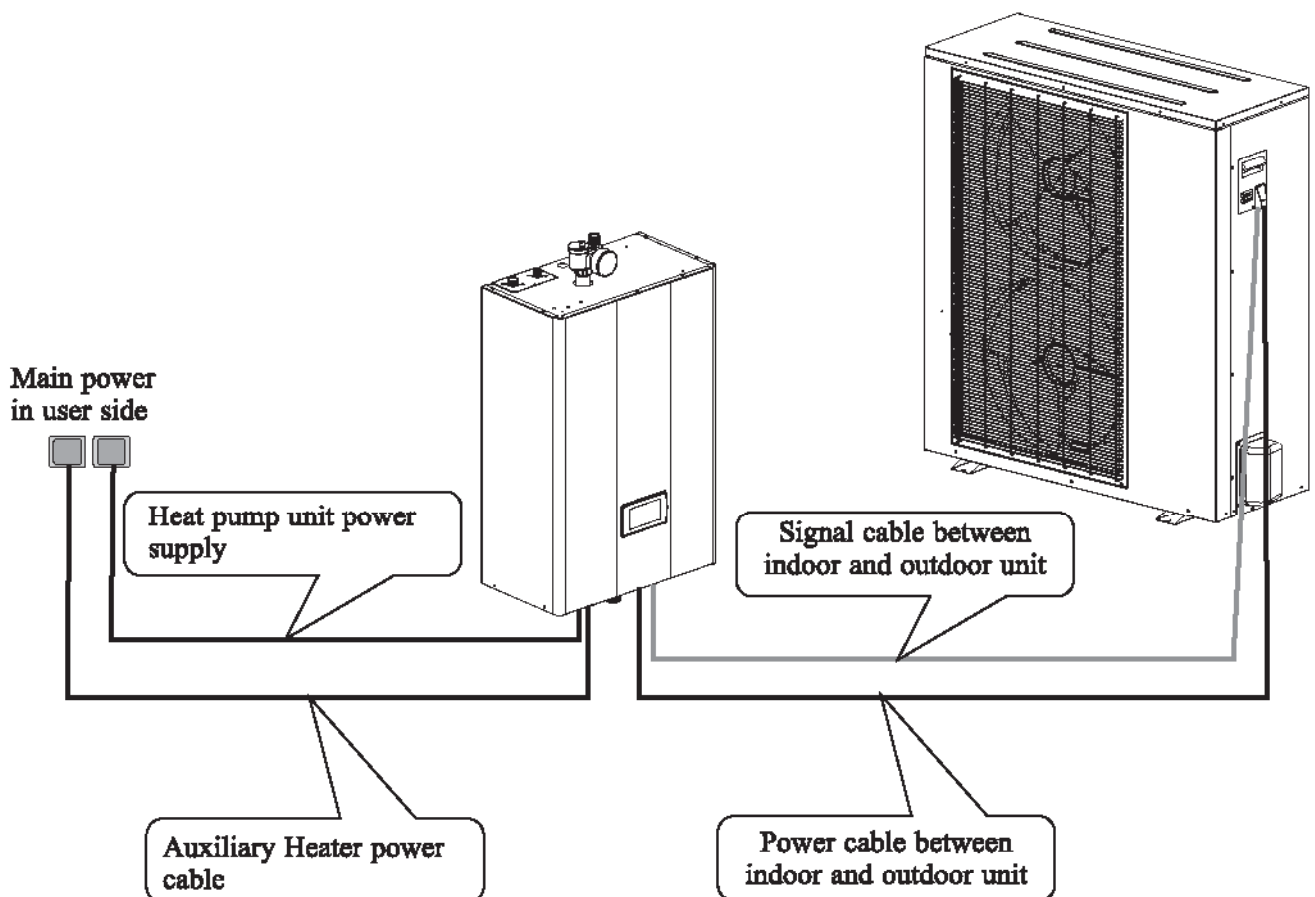
2. Installation

2.5.2 Wiring

- ◆ It is recommended to use a suitable circuit breaker for the heat pump;
- ◆ The power supply to the heat pump unit must be grounded.
- ◆ The wiring should be done by professional person.
- ◆ The wiring should be complied with the local industry regulation.
- ◆ The wiring should be done after the unit is powered off.
- ◆ Cable should be fixed tightly, to ensure it won't get loose.
- ◆ Don't connect several parts of cables together to use.
- ◆ Make sure the power supply in the local coincide with the power supply marked in rating label.
- ◆ Make sure power supply, cable and socket can meet the requirement of the input power of the unit.

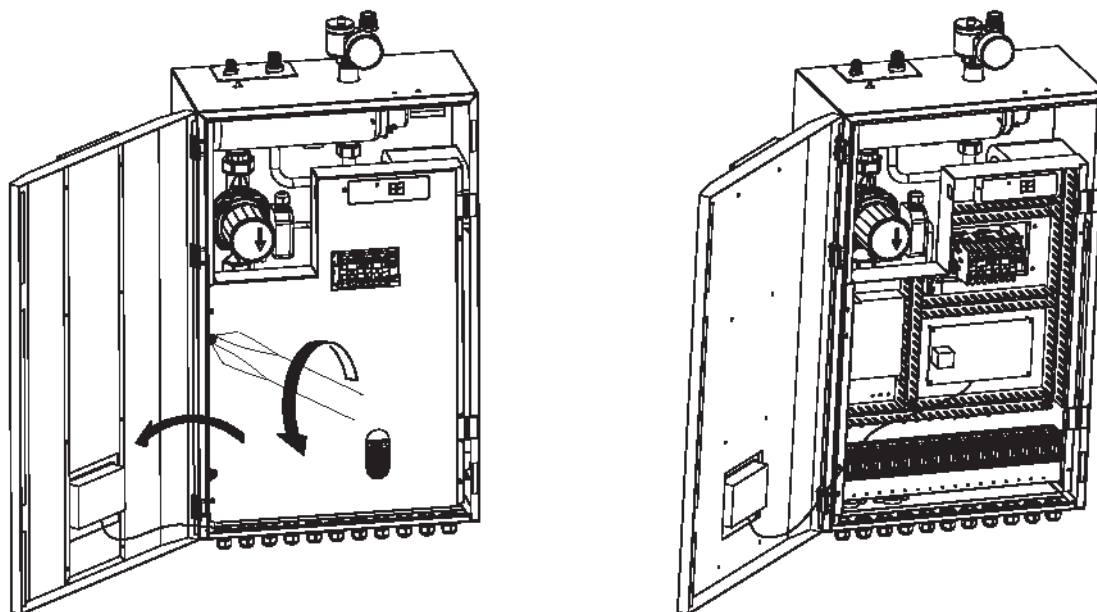


Installation sketch



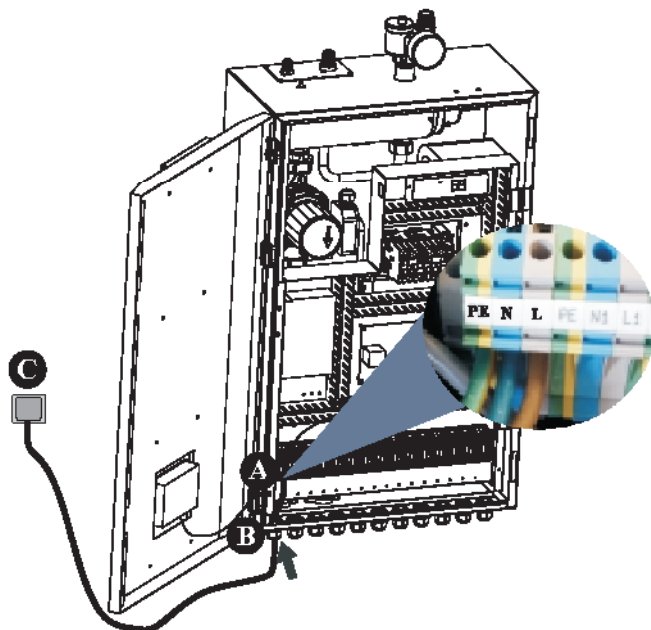
2. Installation

Before wiring, open the indoor unit front panel and take off the electronic box cover.



1) Heat pump unit power supply

Get a power cable in suitable length that complies to the local safety regulations.



A. Insert one end of this cable through the cable gland on bottom of the indoor unit, and connect it with heat pump power supply terminals (PE, N, L).

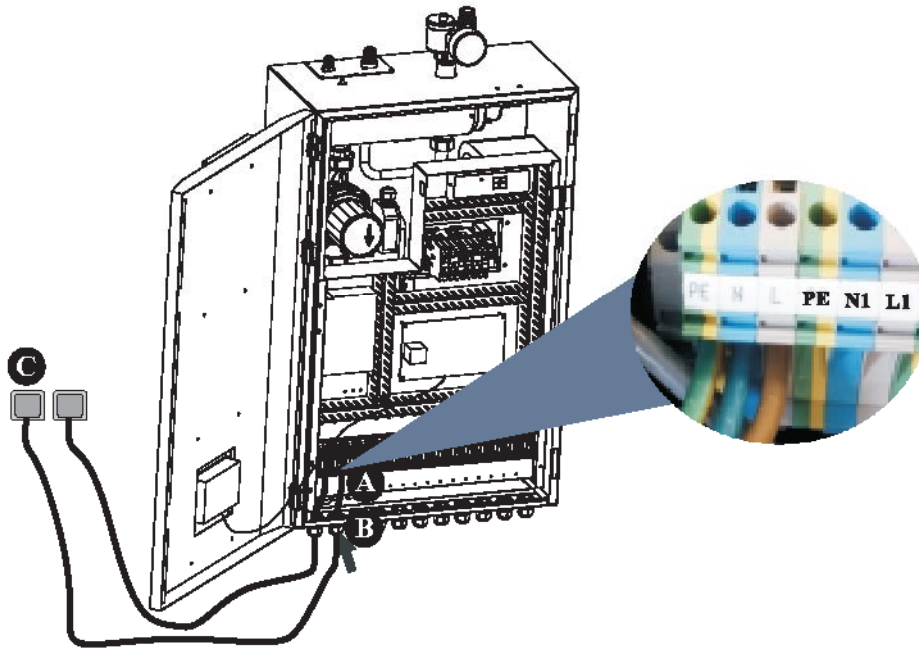
B. Fasten the cable gland to ensure the cable won't get loosen.

C. Connect the other end to the city power supply.

2. Installation

2) Auxiliary Heater power cable

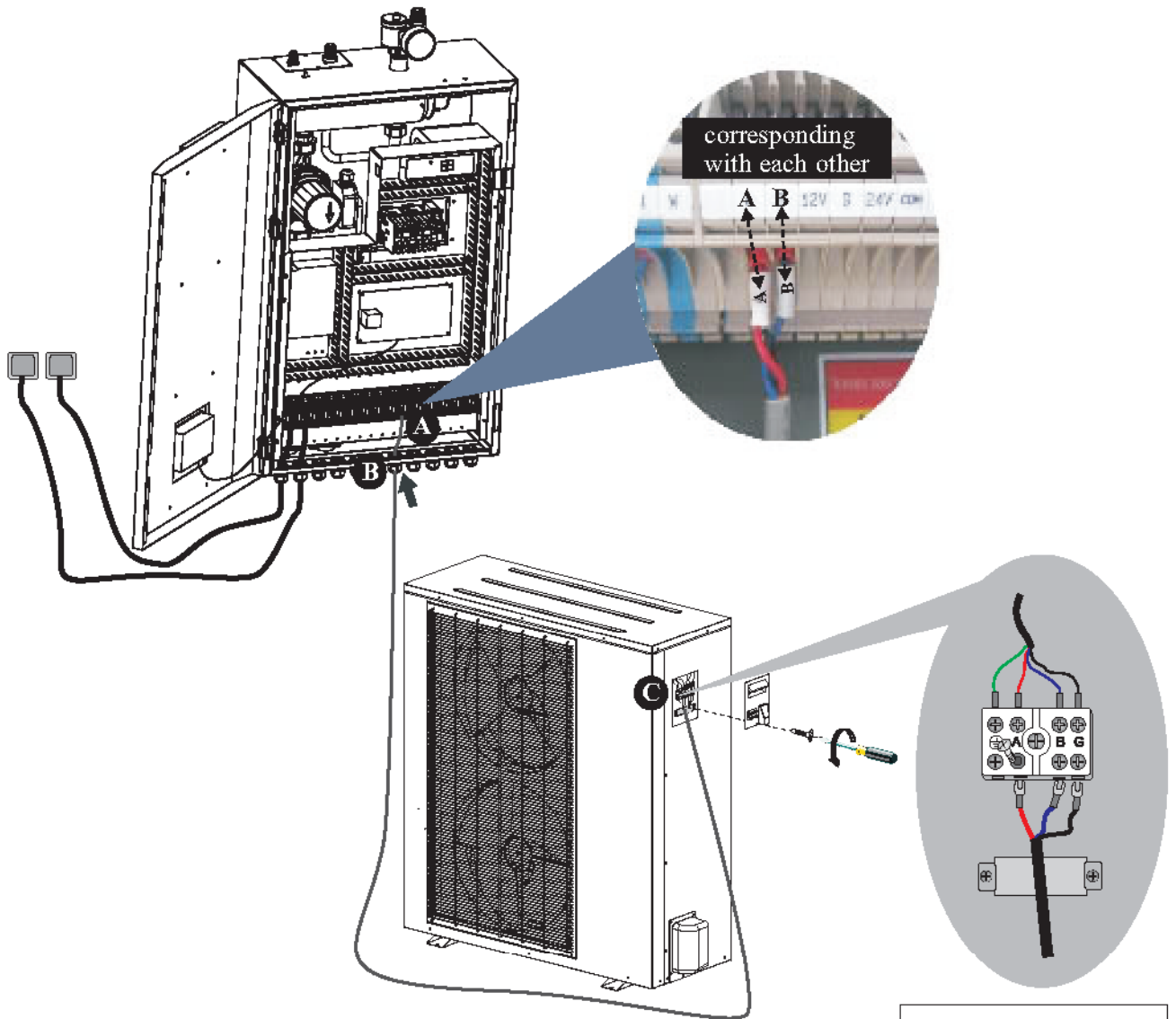
Get a power cable in suitable length that complies to the local safety regulations.



- A. Insert one end of this cable through the cable gland on bottom of the indoor unit, and connect it with AH power supply terminals (PE, N1, L1).
- B. Fasten the cable gland to ensure the cable won't get loosen.
- C. Connect the other end to the city power supply.

2. Installation

- 3) **Signal cable between indoor and outdoor unit**
Take the signal cable out from accessories bag.



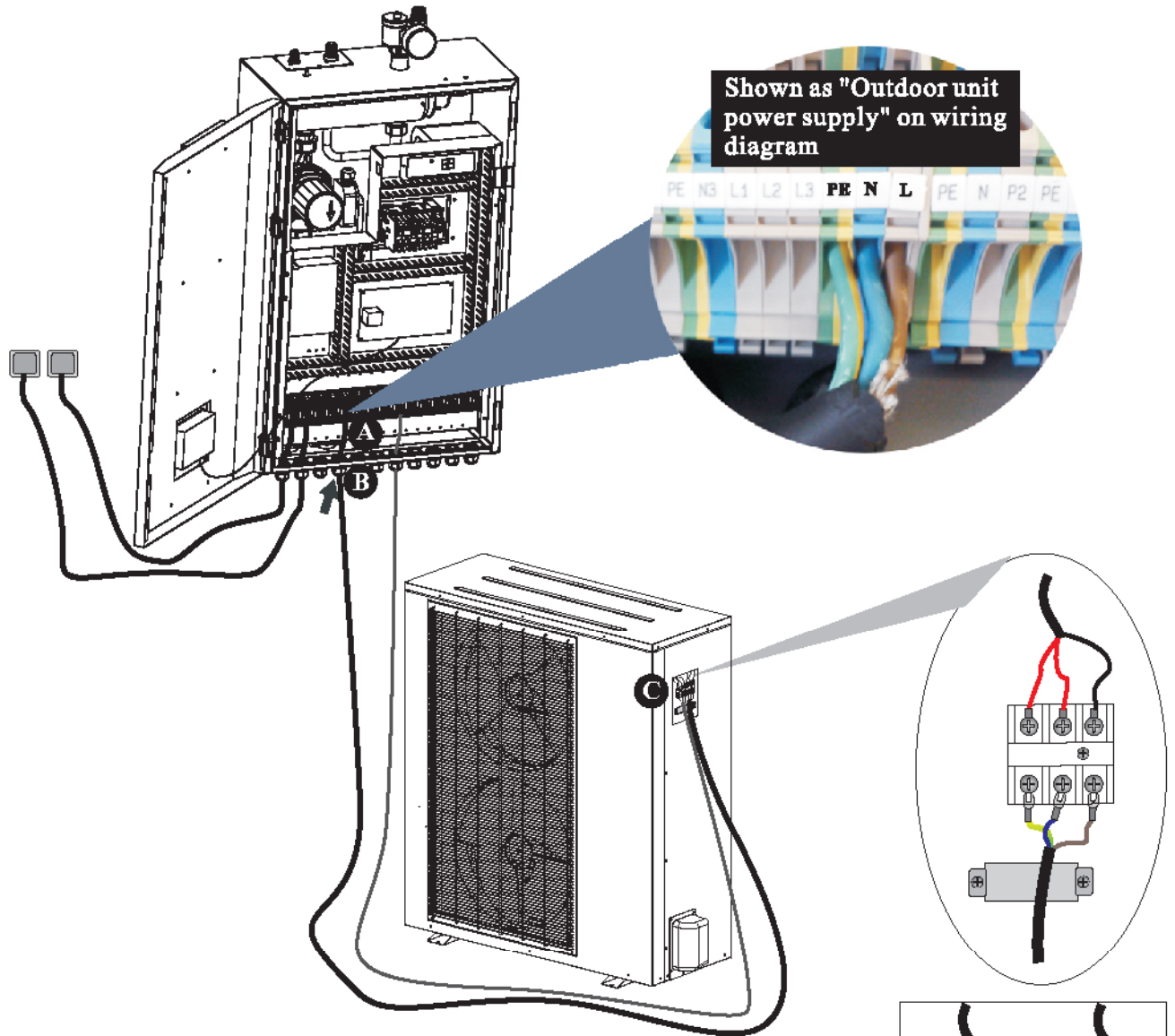
Notice: When fixing the power cable with the wire clip, please be careful to clamp on the outer layer insulation, don't clamp on the wires inside, or it may cause damage on insulation layer of one-core wire.

- A. Insert one end of this cable through the cable gland on bottom of the indoor unit, and connect this cable to A and B on terminal block.
- B. Fasten the cable gland to ensure the cable won't get loosen.
- C. Connect the other end to the terminal block on outdoor unit A and B on outdoor unit should be connected with A, B and G on indoor unit, otherwise unit will show communication failure.

2. Installation

4) Power cable between indoor and outdoor unit

Prepare a 3 cores power cable with suitable length that complies the local safety regulations,



Notice: When fixing the power cable with the wire clip, please be careful to clamp on the outer layer insulation, don't clamp on the wires inside, or it may cause damage on insulation layer of one-core wire.

- Insert one end of this cable through the cable gland on bottom of the indoor unit, and connect this power cable to "Outdoor unit power supply" on indoor terminal block.
- Fasten the cable gland to ensure the cable won't get loosen.
- Connect the other side of the power cable to the outdoor unit, according to the wiring diagram. Fix the cable with cable fixture, to ensure it won't get loose.

2. Installation

When connecting the power cable between the outdoor unit and indoor unit, cables connected to the terminal block in indoor unit must match these in outdoor unit.

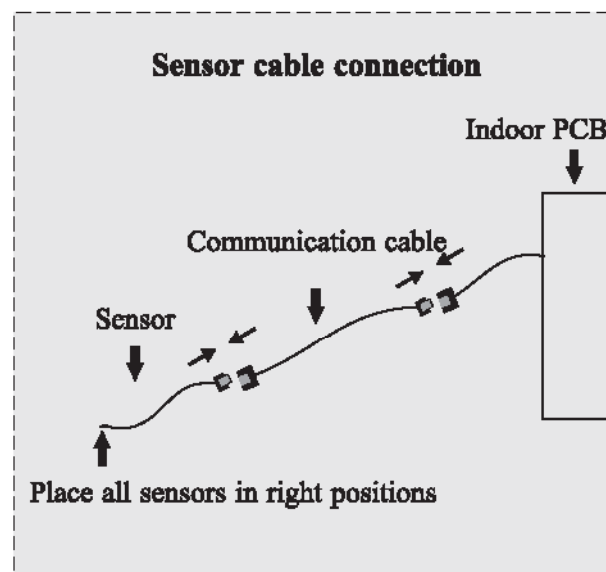
For example, if the terminals and power cables are connected as \ominus →gree/yellow cable, L→ red cable, N→blue cable, S→black cable in indoor unit, the connections in the outdoor unit should be in the same way.

5) Sensor cables

Take all sensors and communication cables out from the accessories bag. Connect the sensors together with the communication cable, and insert the end with connector into the indoor unit through cable gland.

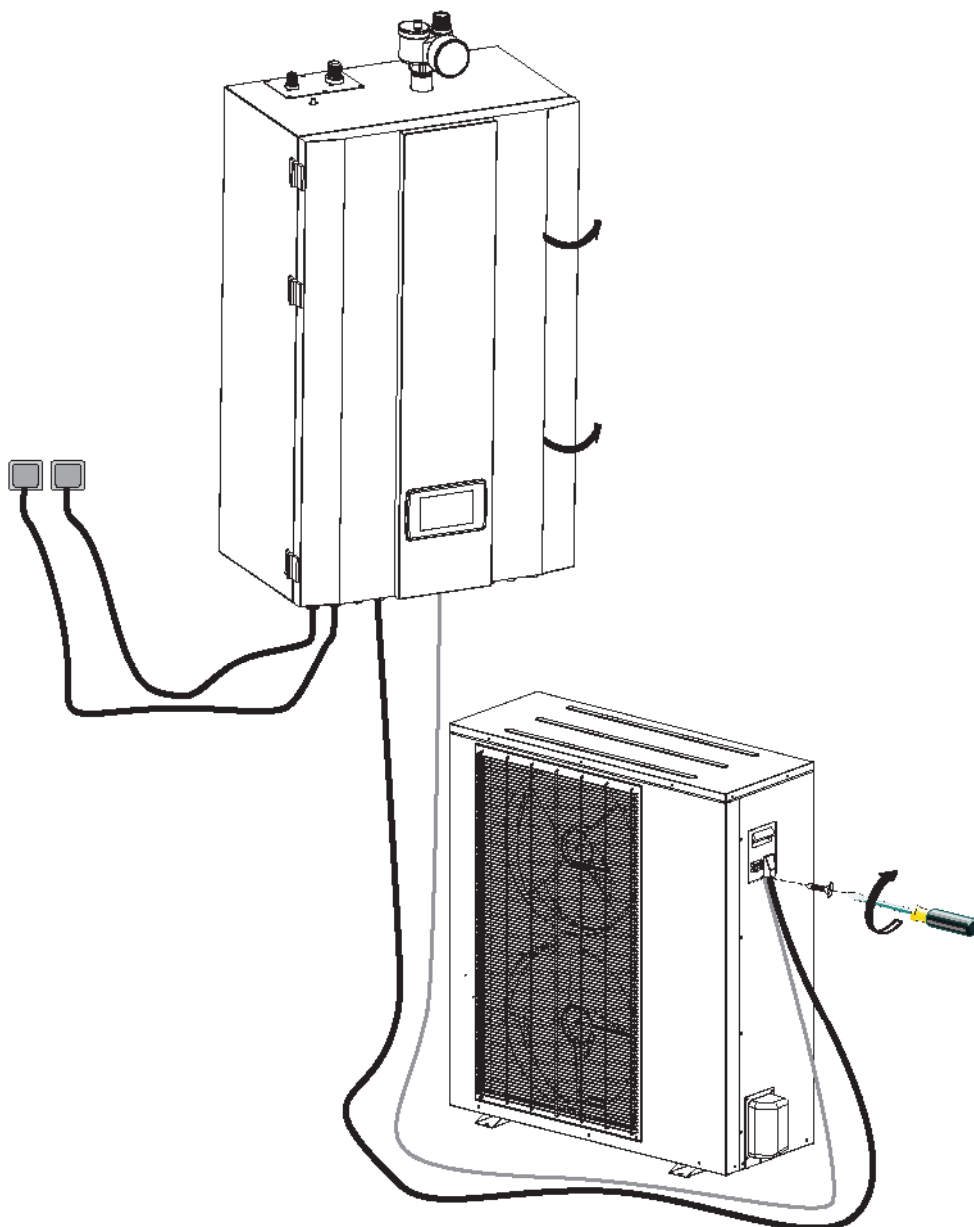
Connect them with the quick connector inside the indoor units, and place all sensors in right positions.

Fasten the cable gland after installation.



2. Installation

Install the electric box cover on indoor unit and small handle on outdoor unit back, and close the door of indoor unit.



2.6 Connection of refrigerant pipe

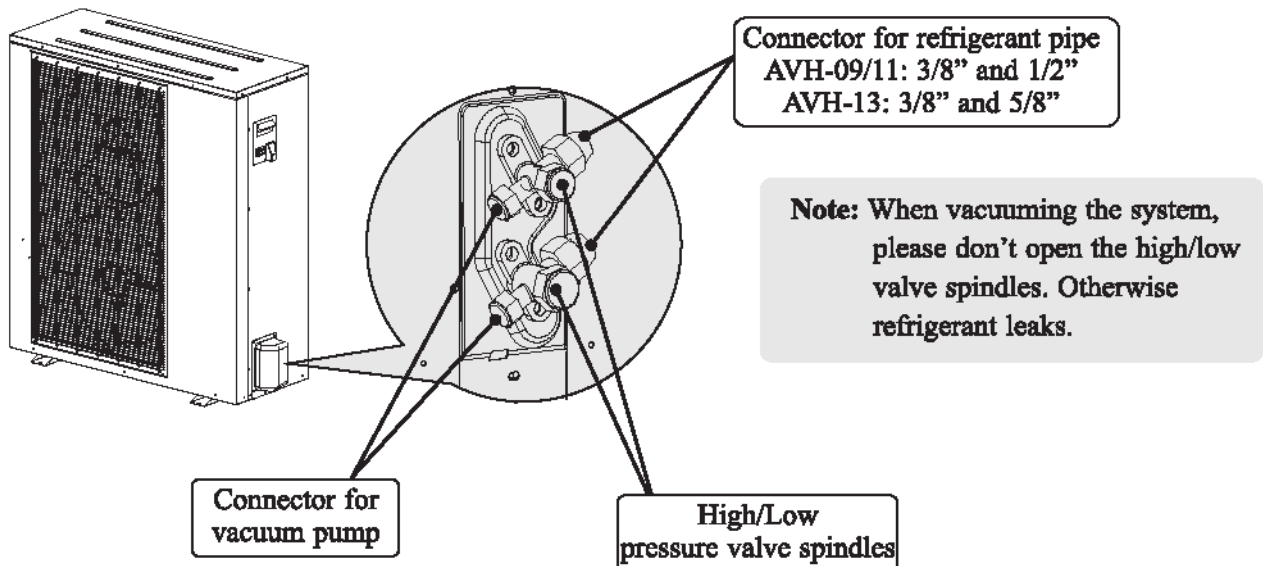
Gas amount:

For AVH-09/11V1D, the gas in the unit is enough for 5M long piping kits; If the piping is beyond 5M, please add 40g per meter. For example, if the piping is 10M long, please add $(10-4) \times 40 = 240\text{g}$ into the system. It's recommended that the gas piping shouldn't be longer than 12m.

2. Installation

Gas amount:

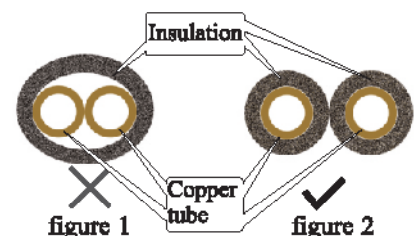
For AVH-13VID, The gas in the unit is enough for 5M long piping kits; If the piping is beyond 5M, please add 40g per meter. For example, if the piping is 10M long, please add $(10-4) \times 40 = 240\text{g}$ into the system. It's recommended that the gas piping shouldn't be longer than 12m.



2.6.1 Precaution

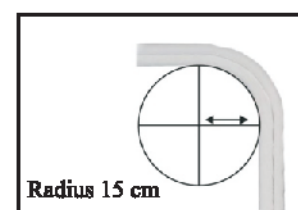
The refrigerant pipe transfers heat in the whole system. Incomplete vacuum or leakage of refrigeration system will lead to low performance, so please pay special attention to the following:

- Choose high quality refrigerant pipe, which conforms to the pressure requirements of R410A.
- Please well insulate the refrigerant pipe before connection.
- Check strictly the joints of refrigerant pipe, to avoid leakage.
- Try to avoid excessive bending of the refrigerant pipe, to ensure smooth circulation of refrigerant.
- Please dry the refrigerant pipe before connection, to avoid moisture in the pipe.
- If there is a wall between indoor and outdoor unit, please drill a hole on the wall, place a wall sleeve in the hole and then run the refrigerant pipe through the wall sleeve.
- When insulating the refrigerant pipe, please insulate each pipe separately (refer to figure 2 below), don't insulate the refrigerant pipes together (refer to figure 1 below).



F. IMPORTANT:

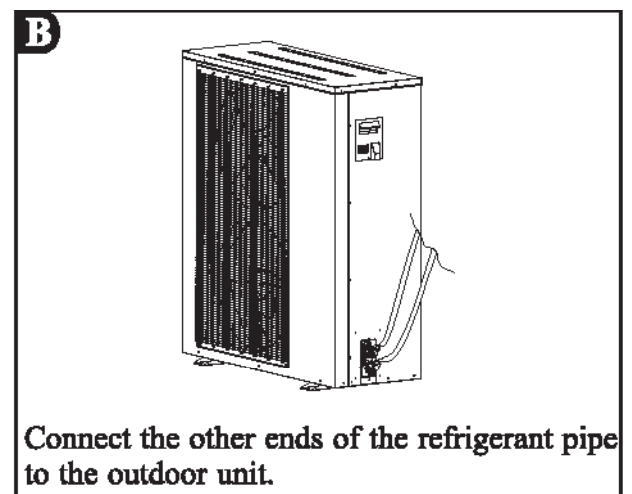
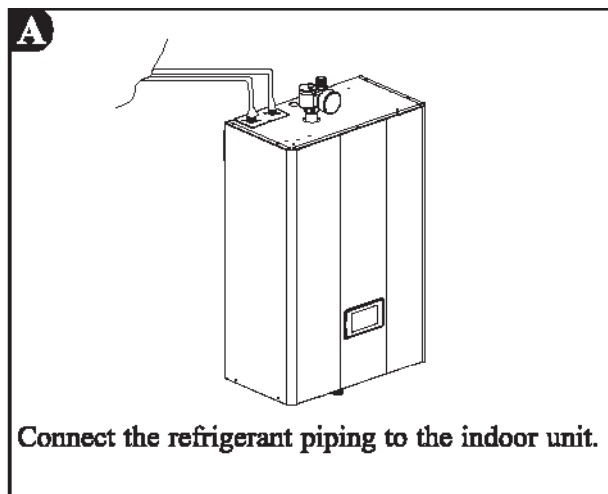
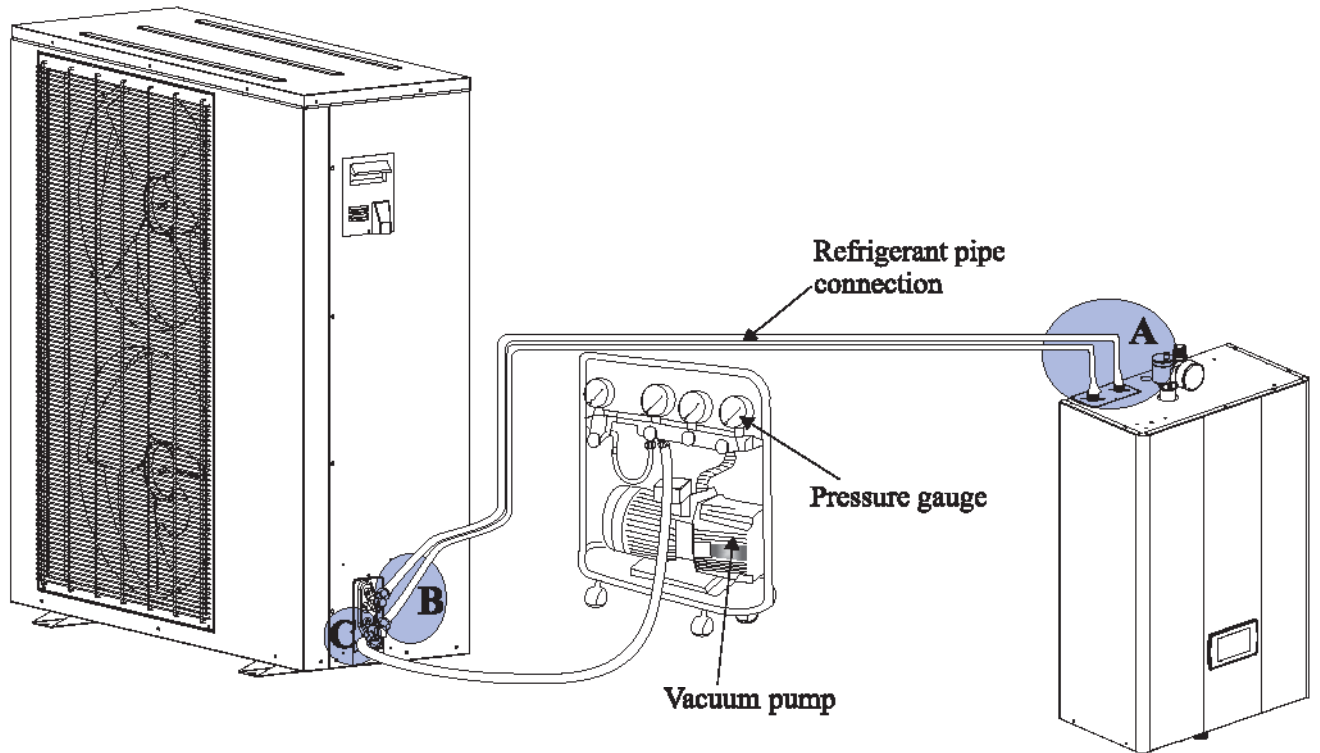
The radius at pipe bends must not be less than 15 cm. Use a cardboard template to check this. Run the power cord along with the pipes. Create the bends gradually and carefully. Do not bend the pipe straight across, for example, to the edge of the hole in the wall.



2. Installation

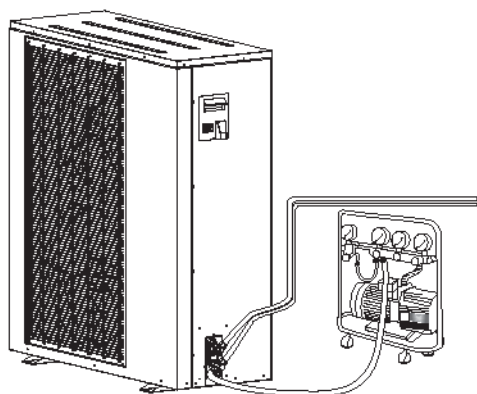
2.6.2 Installation

Please connect the refrigerant pipe as follows:

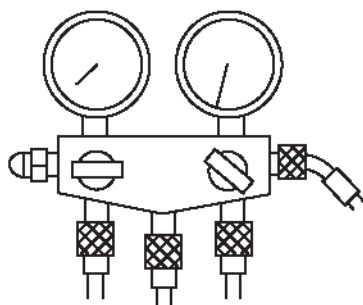


2. Installation

C

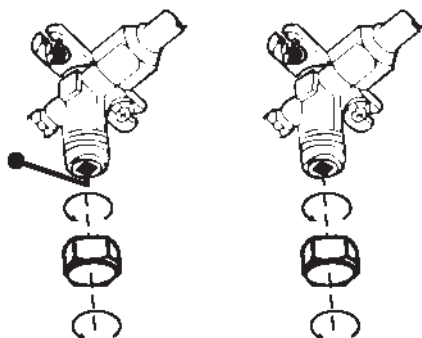


Prepare a vacuum pump and a pressure gauge, connect one tube of the pressure gauge to the vacuum pump. The other side should be connected to high pressure refrigerant connector on outdoor unit.

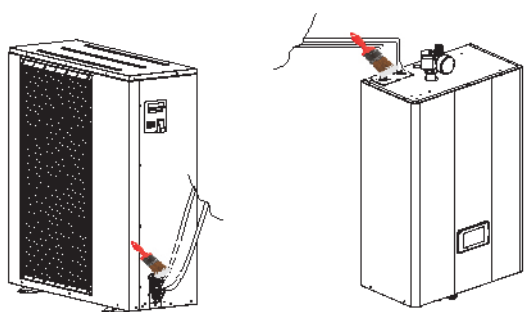


Open pressure gauge, and start the vacuum pump to vacuum the unit for around 10 minutes. When the pressure gauge shows negative pressure, close the pressure gauge and stop vacuuming.

Turn off the vacuum pump, disconnect tubes of pressure gauge, and install the copper nut back to the high pressure connector.



Take off the copper nut of the gas and liquid valves, open the valves with hexagon spanner as much as possible.



Check with leakage detector or soap water if there is any leakage. If not, then put back the copper nuts onto the valves.

2. Installation

2.7 Installation of safety valve kit

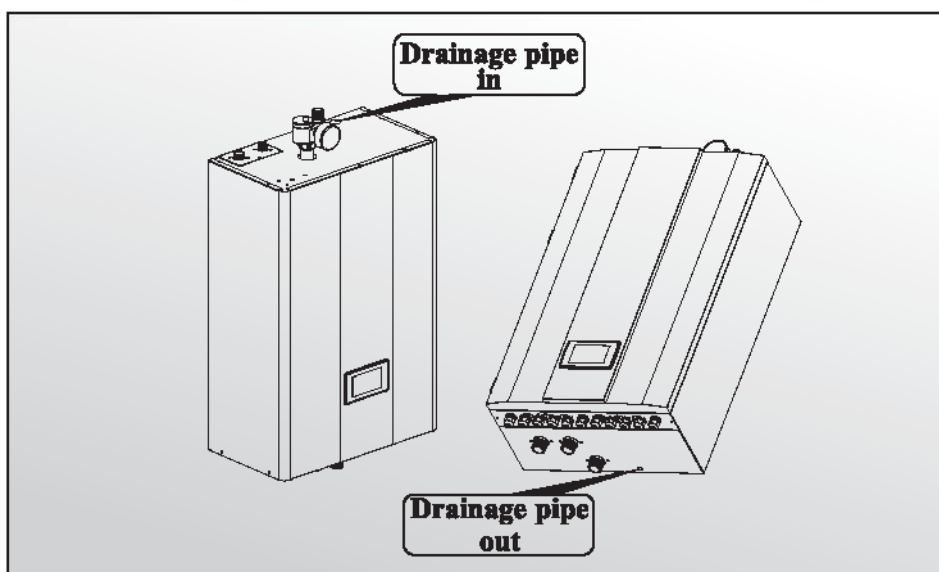
1) Install the safety valve kit to the connector on top of indoor unit.



2) Connect the drainage pipe to safety valve outlet.



3) Have the drainage pipe out from the hole on the bottom by going through the unit.



2. Installation

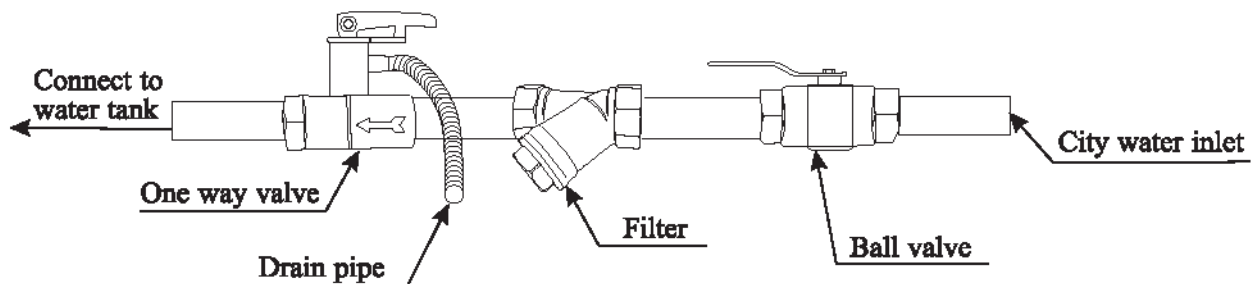
2.8 Water pipe connection

After installing the unit, please connect the water inlet and outlet pipe according to the local regulations. Please carefully select and operate the water pipe.

After connection, the water piping should be pressure tested, cleaned before use.

1) Filter

A mesh filter must be installed in front of the water inlet of the unit and water tank, to keep the water quality and collect impurity contained in the water. Take care to keep the water filter mesh towards the bottom. Check valve is recommended to be installed at both sides of the filter, so as to clean or change the filter in a easier way.



2) Insulation

All pipes running hot water should be well insulated. The insulation must be tied up tightly without gap (But please don't wrap up the check valve for future maintenance).



Please ensure enough water pressure to send the water to the required height.
If the water pressure is not enough to maintain proper water flow rate for the system, please add a water pump to increase the pumping head.

3) Requirements of water quality

- A. Chloridion element in the water should be less than 300ppm(temperature is less than 60°C).
- B. PH value of water should be from 6 to 8.
- C. The water with ammonia can't be used for the unit.

If the water quality is bad, or water flow too little, scale formation or clogging may happen after unit running for a long time, then the efficiency of cooling or heating will be low or the unit will work abnormally.

Please clean water before use, or use purified water. Make sure the water quality is good enough to keep the unit long-term running in high efficiency.

2. Installation

2.9 Test run



After installation finished, please fulfill the water system with water and purge out air in the system before start-up.

1) Before start-up

Before the unit starts up, a certain number of verifications must be performed on the installation to ensure that the unit will operate under the best possible conditions. The check list below is not exhaustive and should only be used as a minimum reference basis:

- A. Make sure fan rotates freely;
- B. Inspect all water piping for flow direction;
- C. Verify all system piping is correct for operation as per installation requirements;
- D. Check voltage of the unit power supply and make certain voltage is within authorized limitations;
- E. Make sure the unit is properly grounded;
- F. Check the presence of protective and breaking devices;
- G. Check all electric connections for tightness.
- H. Check all piping for leaks and air is well ventilated.



**If everything above is OK, the unit can start up.
If any of them fails, please fix it.**

2) Pre-start up

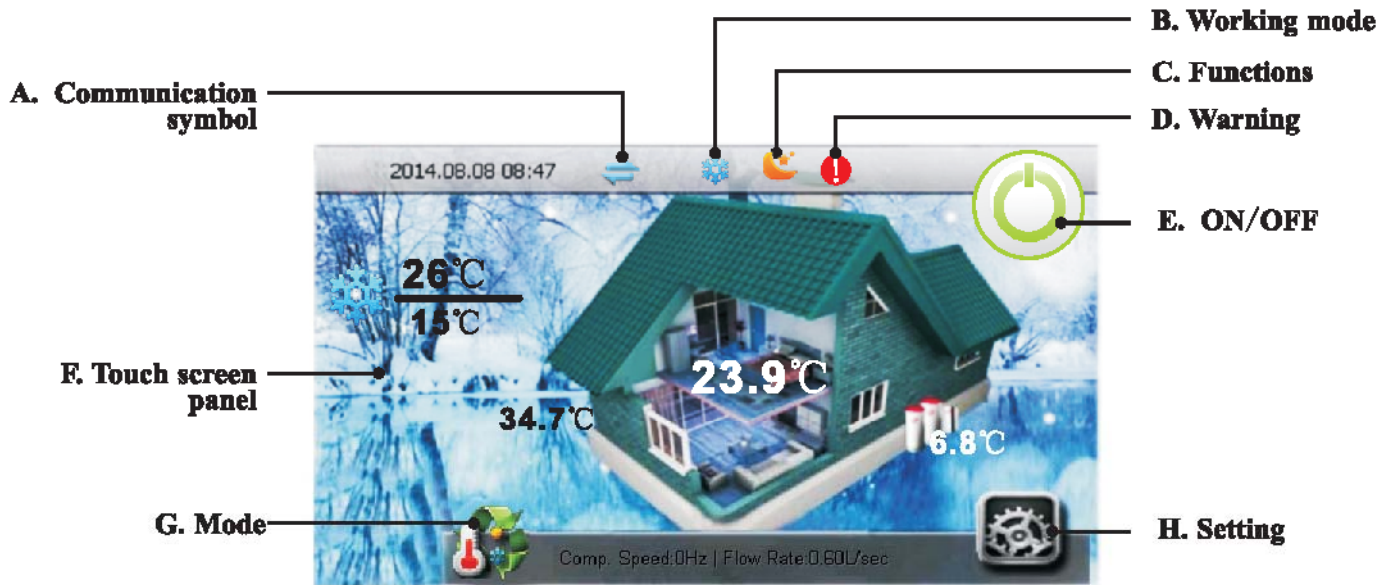
- A. When the installation of unit is completed, water system pipes are well connected and air purging is done, no leakage or other problems, the unit can be powered to start up.
- B. Turn on the unit, press the on-off button on the operation panel to start the unit. Please check carefully if there is some abnormal noise or vibration, or the display of wired controller is normal or not.
- C. After the unit is working properly for 10 minutes, without any problem, then the pre-start up is completed; If not, please refer to the Service and Maintenance chapter in this manual to solve the problems.



It is suggested not to run "heating" or "hot water" mode, when ambient temperature is over 32 °C, otherwise unit may go into protection mode easily.

3. Usage

3.1 Introduction of operation panel






A. Communication symbol







When this symbol is in blue, it means communication is working correctly.
When this symbol is in grey, it means communication is broken.

B. Working mode

Working mode switching symbol is ON when system working mode is under switching. If more than one working mode are activated at the same time, corresponding working mode symbol will be shown on the display.

	Heating mode
	Cooling mode
	Hot water mode



C. Functions

	Sleep mode
	Interruption
	Sanitary hot water storage mode
	Preheating mode
	Sanitization mode
	Defrosting mode

3. Usage

D. Warning

When the unit is having a protection or failure, a symbol will be shown on the display. Please enter into "Info" menu to check the protection or failure codes.

	Yellow—Outdoor unit protection or failure
	Red—System protection or failure

Some information, protections and failures that are more likely to happen, will shown in front page so the customer can see it easily:



1. Coil Temp. too low

This is indoor coil temperature too low. This happens in cooling operation of the unit. Too low coil temperature may make the water freeze up inside plate heat exchanger and cause damage. Unit recover automatically when this coil temperature goes over the safety value again. When this happens, please:

- A. Check whether set temperature for cooling is too low; whether system has too small water flow rate; check water system especially the filter.
- B. Check whether system has not enough refrigerant inside by measuring the evaporating pressure.
- C. Check whether ambient temperature is lower than 15°C.

2. Water flow rate too small

It means System water flow rate is less than minimum allowable flow rate. Check the water system, especially the filter; check the working status of water pump.

3. Water flow switch failure

Water flow switch should be in open mode when unit circulation pump is working. If not, the unit thinks the flow switch itself is broken. Check whether flow switch is broken or not well connected. Check whether there is another pump that circulates the water through the unit, when unit circulation pump is working.

4. Communication Failure

Communication failure shown here means the communication between operation panel, indoor PCB and outdoor PCB has been set up, but communication data loses too much. Check whether communication cable is longer than 30M; whether there is a source of the disturbance nearby the unit. Unit recovers when communication recovers.

3. Usage

5. Serial port connect error

Serial port connect error means the communication between operation panel and indoor PCB or outdoor PCB hasn't been set up successfully. Check the cable connection in between. Check whether the last three switches on outdoor power PCB are set to 001; whether last three switches on indoor PCB are set to 001. Unit recovers when communication recovers.

6. Cooling water Temp. too low

Compressor stops if water outlet is too low in cooling mode. This too low water temperature may make the water freeze up inside plate heat exchanger and cause damage. Check whether temperature sensor Tc is OK and well connected; whether set water temperature is too low; whether system flow rate is too small.

7. Water outlet Temp. too high

Compressor stops if water outlet is too high in heating or hot water mode. This too high water temp. may make the system has too high condensing pressure inside and cause unit malfunction. Check whether temperature sensor Tc and Tw is OK and well connected; whether set water temperature is too high; whether system flow rate is too small.

8. Defrosting Failure

If unit continuously failed to finish the defrosting operation for three times, it stops and gives failure code S08. This can only be recovered by re-powering the machine. Please check whether the actual water temperature is too low for the unit to defrost, so the plate heat exchanger has the risk of freezing up..

9. System Initialization

When unit has just been turned ON, this information will be shown. It will disappear after system initialization is finished.

10. Too small water flow rate failure

If unit stops due to "too small water flow rate" protection (S02) over three times in certain period of time, unit stops and gives S10 failure code. It can only be recovered by re-powering the unit. Check the water system, especially the filter; check the working statue of water pump.

11. Indoor anti-freezing protection failure in cooling

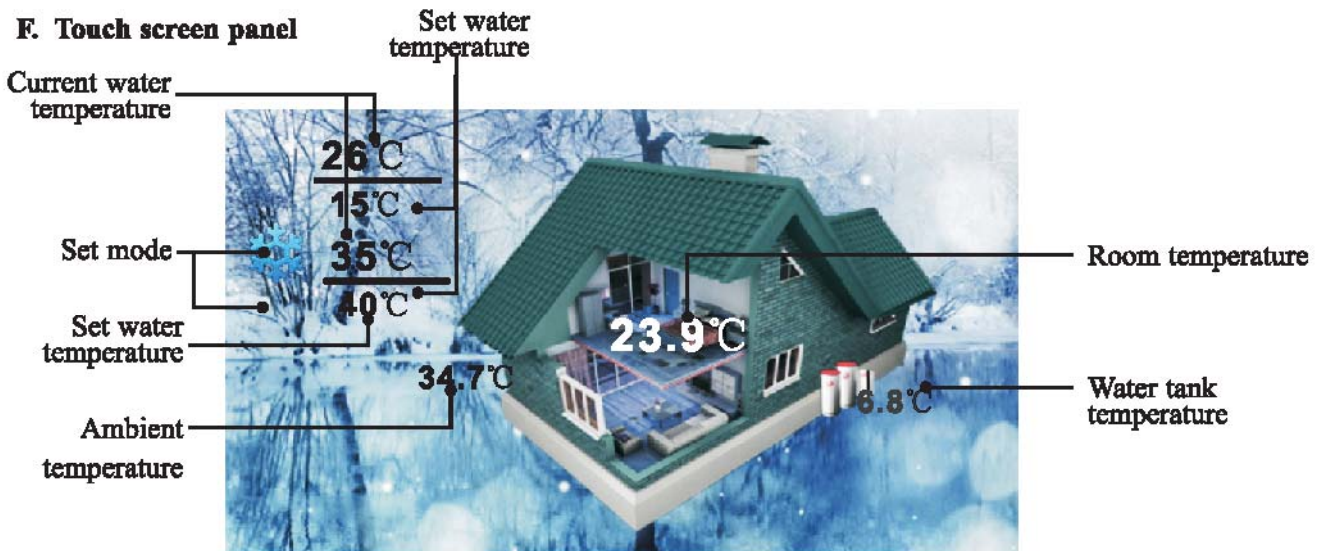
If unit stops due to "ndoor anti-freezing protection in cooling (S01)" over three times in certain period of time, unit stops and gives S11 failure code. It can only be recovered by re-powering the unit.

E. ON/OFF

Press to turn ON/OFF of heat pump operation.

When the unit is powered, home page will be shown on the screen. After repowered, unit will recover its working mode and settings automatically.

3. Usage



G. Mode

Press to switch unit working mode (Heating, Cooling, Hot water, Auto). In Auto mode, unit switch its working mode between cooling, heating and sanitary hot water automatically according to setting.



3. Usage

H. Setting: Press to enter into setting menu.

The image displays two screenshots of a control panel interface, each with numbered callouts pointing to specific settings. The interface has a blue background with a grid of icons and text labels. The top status bar shows the date and time (11.5.2016 11:23 and 11:24) and an 'Info' icon.

First Screenshot:

- 1. Heating/Cooling circuit 1 - see page 47
- 2. Heating/Cooling circuit 2 - see page 50
- 3. DHW settings - see page 51
- 4. DHW Storage - see page 53
- 5. Reduced Setpoint for Heating - see page 55
- 6. Anti-Legionella Function - see page 56
- 7. Vacation Mode - see page 57
- 8. User Management - see page 58

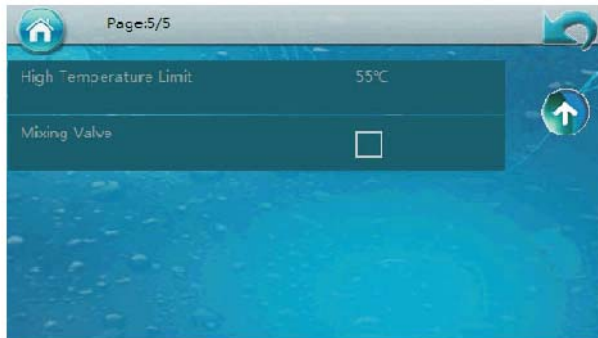
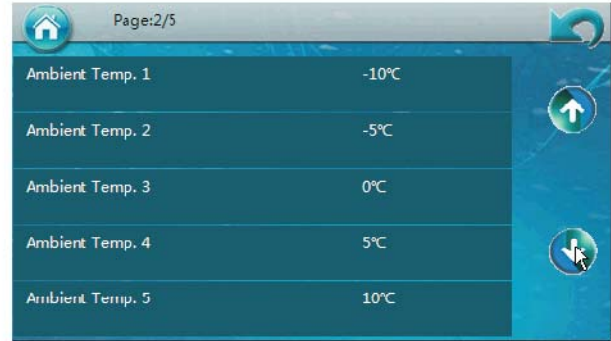
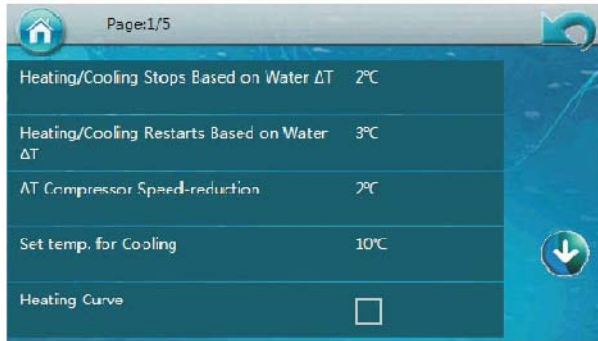
Second Screenshot:

- 9. Mode Settings - see page 60
- 10. Backup Heating - see page 62
- 11. Water Pump Settings - see page 64
- 12. Floor curing - see page 65
- 13. Electrical Utility Lock - see page 66
- 14. Other options - see page 67
- 15. Unit Real-time Data - see page 69

3. Usage

3.2 Operation Instruction

1. Heating/Cooling circuit 1



1. Heating & Cooling Settings 1, HC/CC 1

1.01) Heating or Cooling Stops based on Water ΔT

1.02) Heating or Cooling Restarts based on Water ΔT

- ◆ 1.01: This is to set a temperature to stop unit. Unit stops operation when $[T_{set}+1.01]$ in heating operation, or $[T_{set}-1.01]$ in cooling operation is reached.
- ◆ 1.02: This is to set a temperature to re-start unit. Unit starts operation again when water temp. drops below $[T_{set}-1.02]$ in heating operation or increases over $[T_{set}+1.02]$ in cooling operation.
- ◆ Both the set values are based on ΔT .
- ◆ For example, in heating mode, if $T_{set}=48$, while $1.01=2^{\circ}\text{C}$, and $1.02=1^{\circ}\text{C}$, when actual water temperature is higher than 50°C ($T_{set}+1.01$), unit stops. When unit stops and actual water temperature drops lower than 47 [$T_{set}-1.02$], unit restarts.

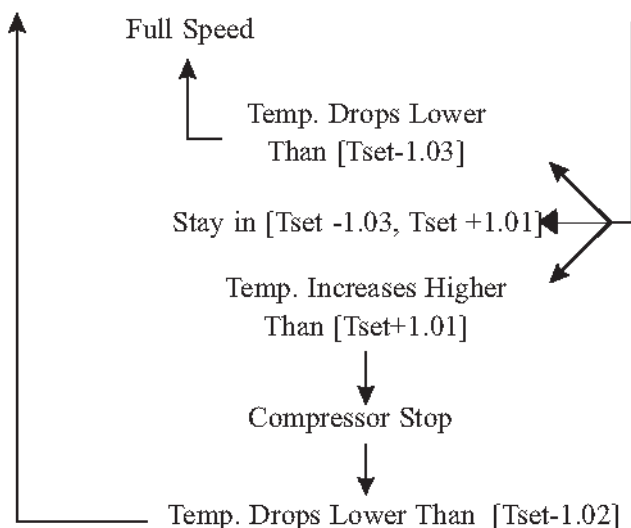
3. Usage

1.03) ΔT Compressor Speed-Reduction

- ◆ This parameter is used to set a temperature, at which compressor starts to slow down its speed.
- ◆ Also, the set value is based on ΔT .
- ◆ Compressor always works with its maximum allowable speed, if actual water temperature is lower than $[T_{set}-1.03]$ (in heating mode) or higher than $[T_{set}+1.03]$ (in cooling mode).
- ◆ When actual temperature is between $[T_{set}-1.03, T_{set}]$ in heating mode or $[T_{set}, T_{set}+1.03]$ in cooling mode, compressor will adjust its working speed, to balance the total heating output and system heating load.
- ◆ This setting is to keep a balance between comfort and energy saving. If this value is set too big, even if the room is not warm (or cool) enough, compressor will slow down its speed quite soon to save energy; If this value is set too small, even if the room is warm (or cool) enough, compressor will slow down its speed quite late, which consumes more power.
- ◆ It's more like a setting that tells the heat pump unit which temperature range you'd prefer to have the heat pump stayed in.
- ◆ For example, in heating mode, if $T_{set}=48$, and $1.03=2^{\circ}\text{C}$, compressor will work as hard as possible to get 46°C as as soon as possible. Then compressor will lower its speed. If even the compressor works in its lowest allowable speed, but actual water temperature still goes over $[T_{set}+1.01]$, unit stops.

Working In Heating

Compressor ON \longrightarrow Test-1.03 \longrightarrow Compressor Speed Down



1.04) Set Temp for Cooling

Set an ideal water temperature for cooling via this parameter.

1.05) Heating Curve Function

- ◆ Set whether heating curve function is needed or not.
- ◆ If heating curve function is not needed, set 1.05=OFF, and then you can set a fixed water set temperature under heating mode via parameter 1.19 "Set Temp For Heating"

1.06~1.15) Set the heating curve

1.06 Ambient Temp. 1

1.07 Ambient Temp. 2

1.08 Ambient Temp. 3

1.09 Ambient Temp. 4

1.10 Ambient Temp. 5

1.11 Water Temp. A/Ambient Temp. 1

1.12 Water Temp. B/Ambient Temp. 2

1.13 Water Temp. C/Ambient Temp. 3

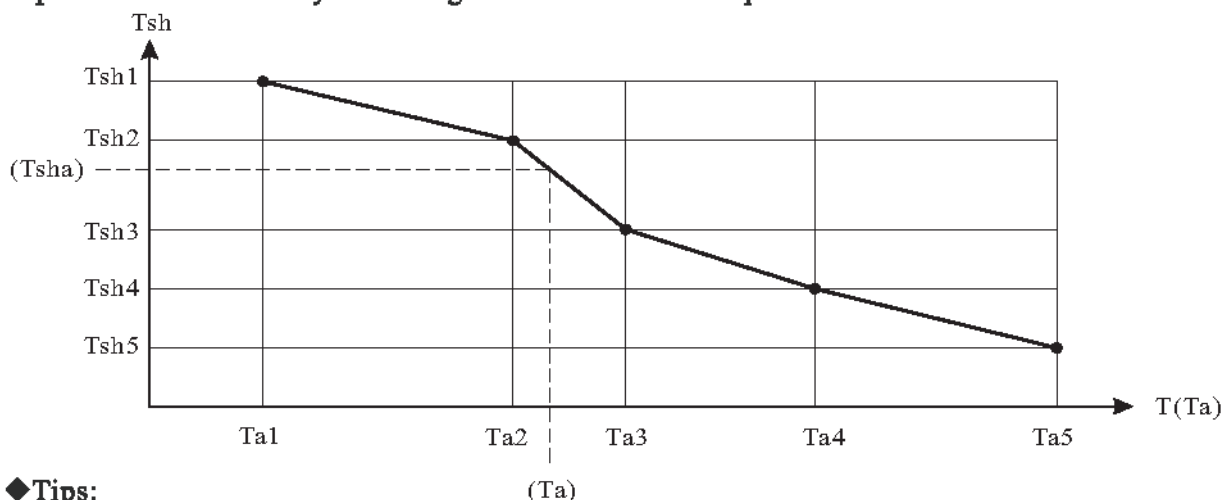
1.14 Water Temp. D/Ambient Temp. 4

1.15 Water Temp. E/Ambient Temp. 5

When 1.05=ON, user can set a heating curve which fits his house, by adjusting the settings of parameter 1.06~1.15.

3. Usage

◆ Parameter 1.06~1.10 is used to set 5 different ambient temperatures; while parameter 1.11~1.15 is used to set 5 corresponding set water temperatures VS these 5 ambient temperatures. Then the controller will create a heating curve according to these settings, and try to reach the set water temperature automatically according to actual ambient temperature.



◆ **Tips:**

Heating curve function is based on the factor that the lower the ambient, the higher house heating water temperature needs to be. This heating curve function can help the heat pump unit gain a higher COP, as well as make the house more comfortable.

As house insulation level and people's sense of cold may vary from one another, the factory-set curve may not suit you the best. You can set one curve according to your need.

If you feel too hot, you can lower the settings of water temperatures (parameter 1.11~1.15), which correspond to the ambient temperature parameters (1.06~1.10). If you feel too cold, then adjust these settings a little higher. You can also adjust the ambient temperature settings if you think the factory settings are not perfect for your need.

1.16~1.18) Water Temp. Setting Adjustment function

◆ These three parameters work together to gain an ideal water temperature for an ideal room temperature.

◆ When this function is ON, unit will adjust the set water temperature (a set value or calculated value via heating curve), according to the difference between actual room temperature and ideal room temperature.

◆ **1.16 Room temp. effect on Heating Curve: Turn ON or OFF this function.**

◆ **1.17 Idea Room temp. in Heating: Set an ideal room temperature in heating.** When in Room Temperature Control mode, this parameter will also be the Room Set Temperature.

◆ **1.18 Idea Room temp. in Cooling: Set an ideal room temperature in cooling.** When in Room Temperature Control mode, this parameter will also be the Room Set Temperature.

◆ For example

If 1.16=ON, unit works in heating mode.

If water set temperature in the heating curve is 35°C.

If actual room temperature is 27°C, while parameter 1.17 (Ideal Room Temp.in Heating

Mode) is set to 22°C, then the unit will deduct (27-22)°C=5 from water set temperature, which means unit will take 30°C as the set water temperature.

1.19) Set Temp For Heating

If heating curve function is OFF, a fixed water temperature for heating can be set via "Set Temp For Heating".

1.20) Low Temperature Limit

1.21) High Temperature Limit

These two parameters are used by the installer, to set the set temperature range for circuit 1 for safety purpose.

1.22) Mixing Valve 1

Set whether circuit 1 has a mixing valve connected or not. For more details, please refer to chapter 2.1.4.

3. Usage

2.Heating / Cooling circuit 2



Water Temp. A/Ambient Temp. 1	38°C
Water Temp. B/Ambient Temp. 2	35°C
Water Temp. C/Ambient Temp. 3	32°C
Water Temp. D/Ambient Temp. 4	30°C
Water Temp. E/Ambient Temp. 5	30°C

Heatingcooling Circuit 2	<input type="checkbox"/>
Set temp. For Cooling	15°C
Set Temp. for Heating (without heating curve)	35°C
Mixing Valve	<input type="checkbox"/>
Heating Curve	<input type="checkbox"/>

High Temperature Limit	55°C
Low Temperature Limit	7°C

2.01 Heating&cooling Circuit 2

Set whether the system has the second circuit .

2.02 Set Temp For Cooling

Set the set temperature for cooling operation of circuit 2.

2.03 Set Temp For Heating

If heating curve function is disabled for circuit 2, a fixed value of set water temperature in heating mode can be set here.

2.04 With/Without Mixing Valve 2

Set whether circuit2 has a mixing valve connected. For more details, please refers to chapter 2.1.5

2.05 Heating Curve

Turns ON/OFF of heating curve function for circuit 2.

2.06~2.10

2.06 Water Temp. A/Ambient Temp. 1

2.07 Water Temp. B/Ambient Temp. 2

2.08 Water Temp. C/Ambient Temp. 3

2.09 Water Temp. D/Ambient Temp. 4

2.10 Water Temp. E/Ambient Temp. 5

Temperature set here is water temperature, it is based on the same ambient temperature settings for circuit 1, parameters 1.06~1.10.

Temperature settings of the heating operation for circuit 2 VS ambient temperatures. Controller will create a heating curve for secondary heating system according to these settings. If parameter 2.05 is OFF, only 2.03 needs setting, and unit will take this set value as fixed set water temperature for secondary heating system.

2.11 High Temperature Limit

2.12 Low Temperature Limit

These two parameters are used by the installer, to set the set temperature range for circuit 2 for safety purpose.

3. Usage

3. DHW Settings



Setpoint DHW	50°C
DHW Restart ΔT Setting	5°C
Shifting Priority	<input type="checkbox"/>
Shifting Priority Stating Temp.	15°C
Sanitary Water Min. Working Hours	30Min
Heating Max. Working Hours	90Min
Allowable temp Drift in Heating	6°C
DHW Backup Heater for Shifting Priority	<input type="checkbox"/>

3.01 Setpoint DHW

Set temperature for sanitary hot water.

3.02 DHW Restart ΔT Setting

Heat pump unit will start working for sanitary hot water again, after temperature drops below Tset-3.02 here.

3.03 Shifting Priority

Turn ON/OFF this function.

Air to water heat pump is an equipment that absorbs heat from surrounding air, and transfers it to water. The lower the ambient temperature is, the less heat the unit absorbs. This makes the unit heating capacity and efficiency drop when ambient temperature drops. The unit takes longer time to heat up the sanitary hot water. However, the lower the ambient temperature is, the more heat the house demands. If the unit does not provide enough heat while it is working for hot water, the temperature inside the house may drop too much, and people in it feel uncomfortable. So parameters 3.03~3.08 try to divide the working time for sanitary hot water into several cycles, after ambient temperature drops below a set value. When this function is ON, AH (Auxiliary Heater) or HWTBH (Hot Water Tank Back-up Heater) or both, depending on their priority, will work individually or together to enhance heat pump's capacity in sanitary hot water mode to heat up the water as soon as possible.

3.04 Shifting Priority Starting Temp.

Set an ambient temperature below which this function starts to work. When shifting priority function is activated, heat pump will try to find a balance between DHW and Heating operation after ambient temperature drops below this temperature.

3.05 Sanitary Water Min. Working Hours

Set the minimum working period for sanitary hot water mode.

3.06 Heating Max. Working Hours

Set the maximum working period for heating mode, after unit enters into heating mode.

3.07 Allowable Temp Drift in Heating

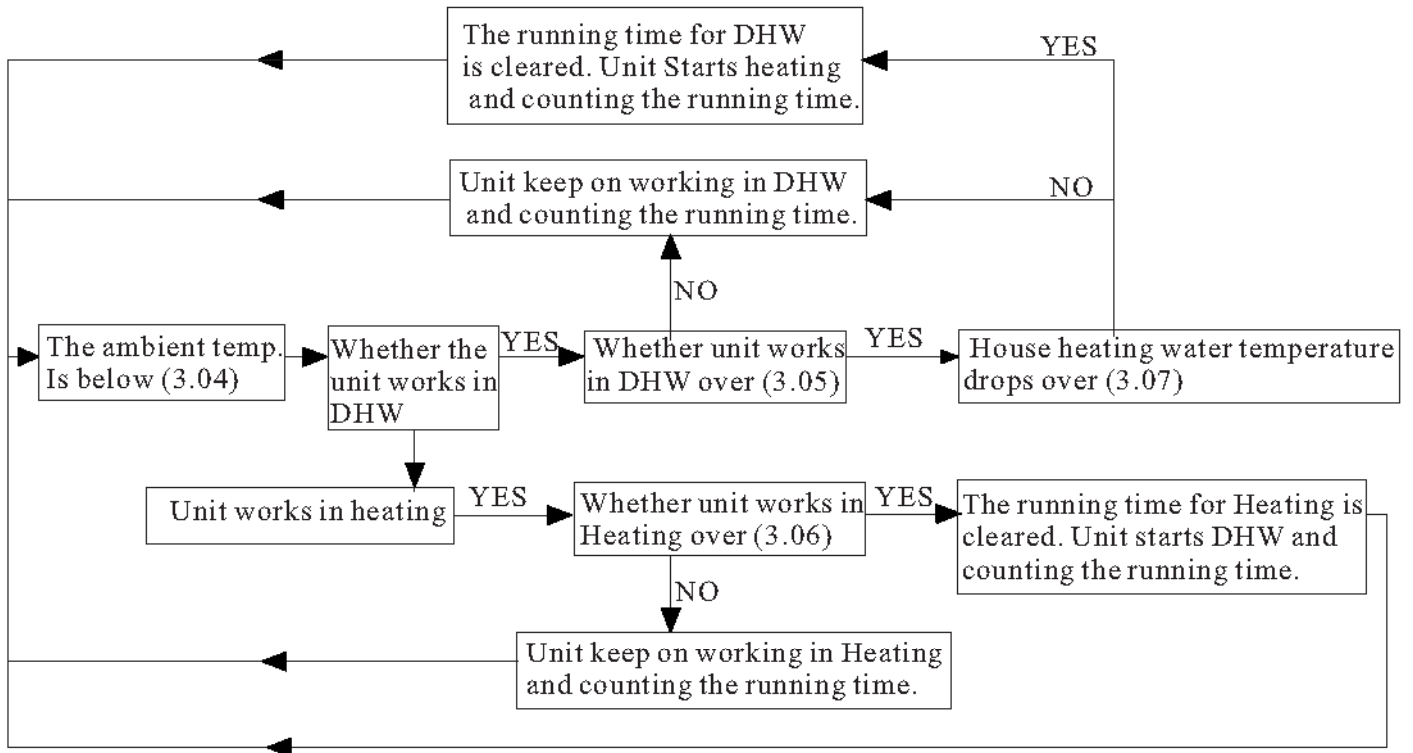
Set Allowable temperature drift in heating mode.

3.08 DHW Backup Heater for Shifting Priority

Working mode of HWTBH (Hot Water Tank Back-up Heater) in this function. If this parameter is set ON, when heat pump is switching to house heating, HWTBH will keep on working to help the unit heat up hot water as soon as possible.

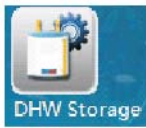
3. Usage

If shifting priority function is ON, and ambient temperature is lower than [3.04], unit works as shown below:
House heating water under water temp.



3. Usage

4.DHW Storage



Sanitary Hot Water Storage Function	<input type="checkbox"/>
Sanitary Hot Water Storage Timer	
Reheating Function	<input type="checkbox"/>
Reheating Function Timer	
Reheating Set Temp.	35°C
Reheating Restart ΔT Setting	10°C

Sanitary Hot Water Storage Function

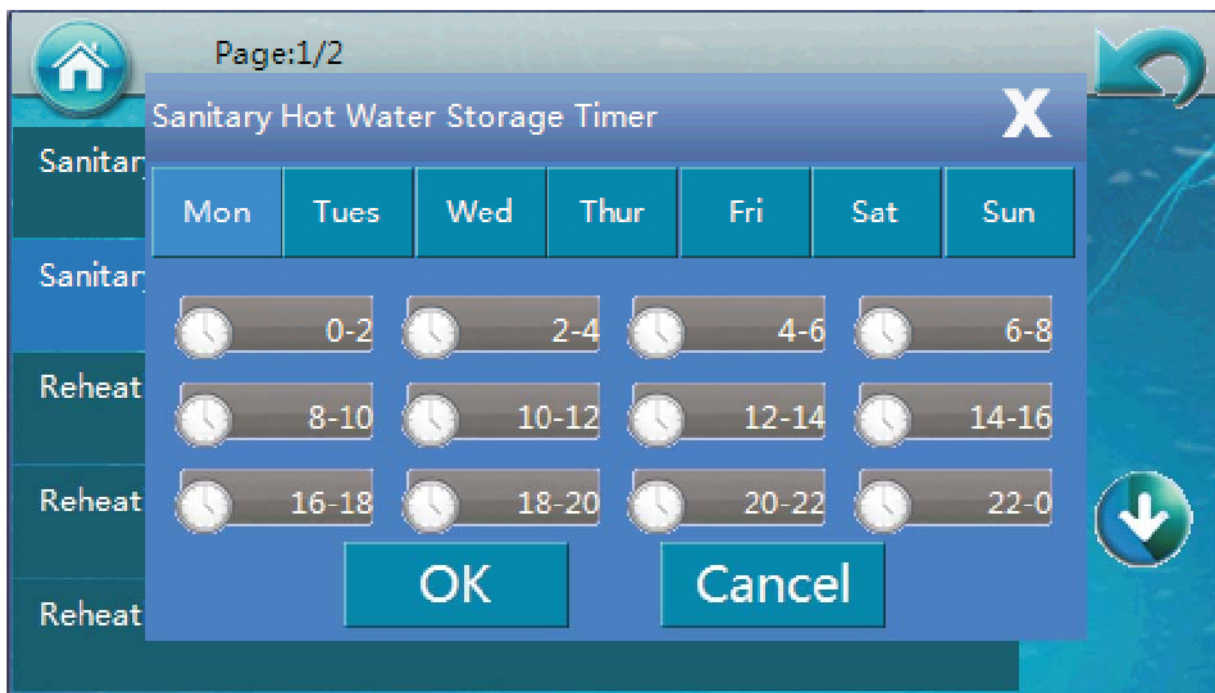
After showers, house usually needs only medium temperature sanitary hot water in day time. This function is used to store high temperature sanitary hot water in low demand time (mid-night, or day time of working days), and reheat the water to medium temperature out of this time period.

4.01 Sanitary Hot Water Storage Function

Turn ON/OFF this function.

4.02 Sanitary Hot Water Storage Timer

Set a working time period for this function, and the unit starts to work towards sanitary hot water set temperature in parameter 3.01 within the set time range. Different time periods for every day in a week can be set.



4.03 Reheating Function

Turn ON/OFF reheat function.

4.04 Reheating Function Timer

Set a working time period for reheat function, and within this time period, unit will work with a lower set value for DHW (value set in parameter 4.05). Different time periods for every day in a week can be set.

3. Usage

4.05 Reheating Set Temp.

Set “reheat restart” water ΔT . When water temperature drops below ΔT based on reheat set temperature within the set reheating time period, unit restarts.

4.06 Reheating Restart ΔT Setting

Set a lower set value for DHW operation. Unit will work with this set value when reheating function is activated in the set time period (time period set in parameter 4.04).

3. Usage

5. Reduced Setpoint for Heating



Reduced Setpoint	<input type="checkbox"/>
Temp. Drop/Rise	5°C
Timer for Reduced Setpoint Function	
Quiet Operation	<input type="checkbox"/>
Allowable Temp. Drifting	8°C
Timer for Quiet Operation	

Reduced Setpoint Function: Sometimes the house heating demand maybe lower than normal, like during sleep period or working time. In this way, a reduced value based on standard set value can be set here for better efficiency of the whole system.

Quiet Operation: Also, for a better noise issue, a Quiet Operation can be also set in this menu. After activating this function and setting the time period for quiet operation, unit will try to reduce its noise level.

Note: Unit efficiency in quiet operation mode will be lower than standard working mode.

5.01 Reduced Setpoint

Turn ON/ OFF Reduced Setpoint function.

5.02 Temp. Drop/Rise

Set temperature drop (in heating) or increase (in cooling) based on standard set temperature during Reduced Setpoint operation.

5.03 Timer for Reduced Setpoint Function

Set a working time period for Reduced Setpoint function.
Different time periods for every day in a week can be set.

5.04 Quiet Operation

Turn ON/ OFF Quiet Operaiton function.

5.05 Allowable Temp. Drifting

Set allowable temperature drift during Quiet Operation.

When the unit works in quiet mode, its output may drop because both fan and compressor may need to work in lower speed. However, temperature in the system may drop (in heating) or increase(in cooling)too much due to the lower output. So when actual temperature drift from the standard set value is more than the ΔT set value set here, unit will end this quiet operation, to ensure a comfortable house temperature.

5.06 Timer for Quiet Operation

Set a working time period for Reduced Setpoint function
Different time periods for every day in a week can be set.

3. Usage

6. Anti-Legionella Function



Anti-Legionella Program	<input type="checkbox"/>
Day and Time	
Setpoint	70°C
Duration	20Min
Finish Time	120Min

If user uses sanitary hot water directly out from the HWT (hot water tank), for the health purpose, it's requested that he needs to heat up the water inside the tank over 60°C for anti-legionella purpose once a week.

Note: Please always refers to local regulation for a correct usage of this function.

6.01 Anti-Legionella Program

Turn ON/OFF Anti-Legionella function.

6.02 Day and Time

Set at which time in which weekday(s) for the start of anti-legionella operation.

6.03 Setpoint

Set the target sanitary hot water temperature for anti-legionella. Please refers to the local regulation for the correct setting of this temperature.

6.04 Duration

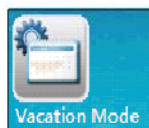
Set for how long the unit should try to keep this set high temperature, to ensure all bacteria in the shower water tank can be killed.

6.05 Finish Time

Set an ending time for this anti-egionella function, even it is not finished successfully. This time should be longer than what it is set in parameter 6.04.

3. Usage

7. Vacation Mode



Vacation Mode	<input type="checkbox"/>
Sanitary Hot Water temp. Drop during Vacation Mode	20°C
Heating Water temp. Drop during Vacation Mode	20°C
Vacation Start Date	1.1.2015
Vacation Finish Date	1.2.2015

If you need to be away from house for some days, you can use this Vacation Mode function to reduce the set temperatures for both sanitary hot water and house heating , to save more energy.

7.01) Vacation Mode

Turn ON/OFF Vacation Mode.

7.02) Sanitary Hot Water Temp. Drop During Vacation Mode

Set a temperature drop for sanitary hot water based on standard DHW set value during the set time period for vacation mode.

7.03) Heating Water Temp. Drop During Vacation Mode

Set a temperature drop for heating based on standard DHW set value during the set time period for vacation mode.

7.04) Vacation Start Date

Set the date that vacation starts.

7.05) Vacation Finish Date

Set the date that vacation finishes.

3. Usage

8. User Management



Permission Level	End User
Heating/Cooling ON/OFF Timer	<input type="checkbox"/>
Heating/Cooling ON/OFF Timer	
Language	English
Set Date and Time	5.5.2016 18:48
Distribution System Setting	W/HC(Sanitary Hot Water/Heating+Cooling)
Save Current Settings	
Load Saved Settings	
Reset to Factory Settings	

8.01) Permission Level

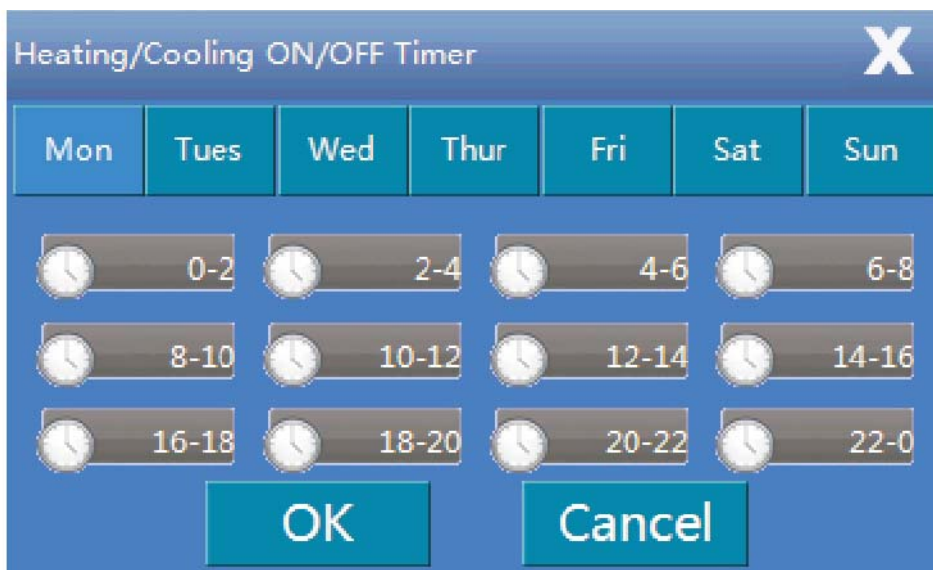
For the safety of the product, some parameters can only be adjusted under installer's permission level. The permission level can be changed in this menu. A password is needed for activating the installer's permission level.

8.02) Heating/Cooling ON/OFF Timer

To turn ON/OFF the timer function for heating/cooling operation.

8.03) Heating/Cooling ON/OFF Timer

Set the ON and OFF timer for the heating/cooling operation. Different time periods for every weekdays in a week can be set.



3. Usage

8.04) Language

Set system language.

8.05) Set Date and Time

Set system clock date and time.

8.06) Distribution System Setting

The unit is default set to have 3-way motorized valve inside the unit, which has different flow directions for sanitary hot water/cooling+heating mode.

If user needs to have sanitary hot water and heating on the same distribution system, he can set this parameter to “Hot Water+Heating/Cooling”.

Note: If it is set to “Sanitary Hot Water+Heating/Cooling”, temperature sensor for heating function should be placed either inside an ideal position in HWT, or on the water outlet from HWT for heating distribution system.

8.07) Save Current Settings

This parameter is used by installer to save the current settings as “Installer Settings”, so the customer can load the saved settings into the system, when needed.

8.08) Load Saved Settings

Loaded the saved “Installer Settings”.

8.09) Reset to Factory Settings

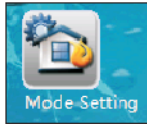
Reset the whole system back to factory default settings.

Note: Saved “*Installer Settings*” will be cleared.

Note: Most of above menus and parameters are designed for installer only. They should only be adjusted by installer or professional customer under the instruction of installer, otherwise malfunction of the unit may happen.

3. Usage

9. Mode Settings



Sanitary Hot Water	<input checked="" type="checkbox"/>
Heating	<input checked="" type="checkbox"/>
Cooling	<input type="checkbox"/>
Basic Operation Modes	<input type="checkbox"/>
Max Allowed Duration For Min Compressor Speed	20Min
Cooling and Heating Switch	OFF
Ambient Temp. To Start Heating	15°C
Ambient Temp. To Start Cooling	27°C

9.01) Sanitary Hot Water

Set whether the system has sanitary hot water circuit or not. When unit works in Sanitary Water mode, 3-way motorized valve will guide water to HWT automatically.

9.02) Heating

Set whether the system has water circuit for house heating purpose or not. When unit works in heating mode, 3-way motorized valve will guide water to heating circuit automatically.

9.03) Cooling

Set whether the system has water circuit for house cooling purpose or not. When unit works in cooling mode, 3-way motorized valve will guide water to cooling circuit automatically.

Note: As whether the system can work in hot water, heating or cooling mode depend quite much on the distribution system, these setting can only be done under installer level, to ensure the safety of the distribution system.

9.04) Basic Operation Mode

This parameter is used to set the basic operation modes, as “Water Temperature Control” or “Room Temperature Control” .

When "Basic Operation Mode" is activated, unit takes room temperature as control object.

When "Basic Operation Mode" is not activated, unit takes water temperature as control object. Heating or cooling function take water as the control object as default. However when a room temperature sensor is connected to the unit and a more precise control of room temperature where the sensor is placed is preferred, “Room Temperature Control” mode can be selected.

Note: When “Room Temperature Control” mode is selected, system will not operate under the heating curve function and actual water temperature may swing significantly.

3. Usage

9.05) Max Allowed Duration For Min Compressor Speed

When unit output is higher than demand, compressor speed will be reduced. If compressor has continuously work in minimum compressor speed for over time set via “Max Allowed Duration For Min Compressor Speed”, unit stops.

9.06) Cooling and Heating Switch

This function is for having the unit start cooling or heating operation automatically, according to:

- ◆ If setting=“Ambient Temp.”, system will automatically choose cooling or heating operation based on the outdoor ambient temperature, compared with parameter set in 9.07 and 9.08.
- ◆ If setting=“External Signal Control”, an external room thermostat or central control system in the building can control the cooling or heating requirements by connecting it to the respective signal ports.

The signals are simple 1-0(on-off) signal. If cooling port receives the signal, the system switches to cooling; If heating port receives the signal, the system switches to heating. When neither port receives the signal, the system stays in standby mode.

- ◆ If setting=“Ambient Temp.+External Signal Control”, unit will take both the ambient temperature and external signal into consideration for cooling or heating mode selection.

Note: If parameter is set to OFF, auto switch function is not activated. Then make sure that parameter (Heating Water Circuit) and (Cooling Water Circuit) are not set to ON simultaneously, as the system can not determine actual requirement, due to mode conflict.

To avoid mode conflict, if “External Signal Control” is used to take control, please ensure that the external signal will not be activated at the cooling and heating ports at the same time.

9.07) Ambient Temp. To Start Heating

This parameter is used to set the ambient temperature to start the heating operation.

For example, if default value is 18°C, the system will start heating operation automatically when ambient temperature is lower than 18°C.

The setting is only available when parameter “Cooling and Heating Switch”=“Ambient Temp.” or “Ambient Temp.+External Signal Control”.

9.08) Ambient Temp. To Start Cooling

This parameter is used to set the ambient temperature to start the cooling operation.

For example, if set value is 28°C, the system will start heating operation automatically when ambient temperature is higher than 28°C.

The setting is only available when parameter “Cooling and Heating Switch”=“Ambient Temp.” Or “Ambient Temp.+External Signal Control”.

Note:

In order to avoid short cycling between different modes, unit will also take the average temperature in the past time for reference of choosing the working mode.

3. Usage

10. Backup Heating



Backup Heating Sources For Heating	<input type="checkbox"/>
Priority for Backup Heating Sources (HBH)	Lower than AH
Backup Heating Source for Sanitary Hot Water	<input type="checkbox"/>
Priority for Backup Heating Sources (HWTBH)	Higher than AH
Heating Source Start Accumulating Value (HBH)	60
Water Temperature Rise Reading Interval (HWTBH)	10Min
Emergency Operation	<input type="checkbox"/>

- ◆ AH---Auxiliary Heater inside the indoor unit
- ◆ HBH---Heating Back-up Heater
- ◆ HWTBH---Hot Water Tank Back-up Heater

10.01) Backup Heating Sources For Heating

Set whether the system has HBH (Heating Back-up Heater).

10.02) Priority for Backup Heating Sources (HBH)

Set the priority of HBH compared with unit AH (Auxiliary Electric Heater inside the indoor unit). When unit works in heating, if heat pump unit can't provide enough power, it will turn on AH or HBH (which set to have the higher priority) automatically. If after AH or HBH is working, that the total output power is still not big enough, unit will turn on the lower priority Backup Heating Source also.

10.03) Backup Heating Source for Sanitary Hot Water

Set whether the system has HWTBH (Hot Water Tank Back-up Heater).

10.04) Priority for Backup Heating Sources (HWTBH)

Set the priority of HWTBH compared with unit AH (Auxiliary Electric Heater inside the indoor unit). When unit works in hot water, if heat pump unit can't provide enough power, it will turn on AH or HWTBH (which set to have the higher priority) automatically. If after AH or HWTBH is working, that the total output power is still not big enough, unit will turn on the lower priority Backup Heating Source also.

10.05) External Heating Source Start Accumulating Value

Accumulated Value between operation time VS set temp. to start other heating source for heating operation.

3. Usage

This is for adjusting how fast Backup Heating Sources for heating operation will be turned ON if heat pump unit can't provide enough power. The bigger the value is set, longer time it takes to start the Backup Heating Sources if heat pump capacity is not enough.

10.06) Water Temperature Rise Reading Interval

Time interval for checking the temperature increase when unit works in DHW mode. If temperature increases too slow during this set interval time, unit will activate other heating source for DHW operation. The smaller the value is set, unit is more likely to activate AH or HWTBH for a fast heating of DHW.

Backup Heating for DHW

If system has no HWTBH (set via parameter 10.03), or HWTBH has lower priority than AH (set via parameter 10.04) :

- ◆ If heat pump's capacity is not enough to heat up DHW fast enough, unit starts AH. If after AH starts, it still cannot heat up DHW fast enough, HWTBH starts.
- ◆ When the set and actual water temperature is higher than heat pump maximum allowable water temperature, heat pump stops and unit starts AH. If after AH starts, hot water temperature still increases too slow, HWTBH starts.

If system has HWTBH (set via parameter 10.03), and HWTBH has higher priority than AH (set via parameter 10.04):

- ◆ When the set and actual water temperature is higher than heat pump's maximum allowable water temperature, HWTBH works ALONE for DHW while heat pump unit will work in heating or cooling mode according to demand.
- ◆ When actual water temperature is lower than heat pump's maximum allowable water temperature, heat pump works in hot water mode. If heat pump's capacity is not enough to heat up DHW fast enough, unit starts HWTBH. If after HWTBH starts, hot water temperature still increases too slow, AH starts.

Under shifting priority operation, according to parameter 3.08, AH or AH+HWTBH work together with heat pump to heat sanitary hot water to the set value as soon as possible, so heat pump unit can concentrate on heating mode afterwards.

10.07) Emergency Operation

When heat pump failed to work, whether the unit should turn ON the back-up heating system automatically.

Note:

If this function is activated, customer should check the working status of heat pump unit occasionally, to ensure heat pump unit is functioning well.

3. Usage

11. Water Pump Settings



Circulation Pump P0 Type	DC Variable Speed Pump (PWM
Speed Setting of Circulation Pump P0	High Speed
Working Mode of Circulation Pump P0	Interval working mode
Pump Off Interval for P0	10Min
Pump On Time for P0	1Min

Buffer Tank	<input type="checkbox"/>
P1 for Heating Operation	<input type="checkbox"/>
P1 for Cooling Operation	<input type="checkbox"/>
P1 with High Temp. Demand	<input type="checkbox"/>
P2 for Heating Operation	<input type="checkbox"/>

P2 for Cooling Operation	<input type="checkbox"/>
P2 with High Temp. Demand	<input type="checkbox"/>

11.1) Circulation Pump P0 Type

This is to set the type of circulation pump inside the unit, P0.

11.2) Speed Setting of Circulation Pump P0

This is to set the working speed of circulation pump inside the unit, P0.

11.3) Working Mode of Circulation Pump P0

This is to set the working mode of circulation pump for cooling/heating operation inside the unit, P0. P0 can work as the following settings:

1. Interval working mode. In this setting, P0 stops after compressor stops, but runs for a while after stops for an interval period.
2. ON constantly. P0 will work constantly even if compressor stops after reaching the set temperature.
3. OFF with compressor. It means P0 stops after compressor stops.

11.4) Pump OFF Interval

11.5) Pump On Time

If unit circulation pump P0 working mode is set to “Interval working mode”, that means circulation pump stops after compressor stops, but after it stops, it will runs for [11.5] minutes after stops for every [11.4] minutes interval time.

11.6 Buffer Tank

11.7 P1 for Heating Operation

11.8 P1 for Cooling Operation

11.9 P1 with High Temp. Demand

11.10 P2 for Heating Operation

11.11 P2 for Cooling Operation

11.12 P2 with High Temp. Demand

These parameters are used for setting the working of external circulation pump P1 and P2, for heating/cooling circuit, (HC/CC1) and heating/cooling circuit, (HC/CC 2).

For more details, please refers to chapter 2.1.3~2.1.5.

3. Usage

12. Floor Curing



Floor Curing	<input type="checkbox"/>
Floor Curing Temperature Setting Stage 1	30°C
Floor Curing Operation Duration Stage 1	8Hour
Floor Curing Temperature Setting Stage 2	38°C
Floor Curing Operation Duration Stage 2	12Hour
Floor Curing Running Hours	
Highest Water Temp. in Floor Curing Operation	0°C

After initial Installation or Long Time Non-operation, a floor heating system may be very wet in the concrete. Most of the heating capacity from heat pump unit is consumed to dry up the water in the concrete for its evaporation. This floor curing function is used to dry the floor to ensure the safety of heat pump system.

12.1) Floor Curing

Turn ON/OFF this function. For a newly-built floor heating system, floor must be cured before setting the heat pump into standard working mode.

12.2) Floor Curing Temperature Setting Stage 1

12.3) Floor Curing Operation Duration Stage 1

Set temperature and lasting time for first-stage of Floor Curing operation.

12.4) Floor Curing Temperature Setting Stage 2

12.5) Floor Curing Operation Duration Stage 2

Set temperature and lasting time for second-stage of Floor Curing operation.

12.6) Floor Curing Running Hours

12.7) Highest Water Temp. in Floor Curing Operation

Three two values are operation data during floor curing operation. Unit will take down the operation time and highest water temperature the system has reached during Floor Curing operation.

Note:

After Floor Curing operation is finished, if water temperature inside the distribution system is still far below the set value of [12.4], it means there has still some water inside the concrete of floor heating system, thus Floor Curing function should be turned ON again, until temperature can increase over [12.4].

3. Usage

13. Electrical Utility Lock



Electrical Utility Lock	<input type="checkbox"/>
Operation Signal for Electrical Utility Lock	Normal Open
HBH During Electrical Utility Lock	<input type="checkbox"/>
Working Mode of Pump During Electrical Utility Lock	<input type="checkbox"/>

Some electricity companies offer a special rate to the houses who lowered their power consumption during peak time. When peak time comes, electricity company will send an ON or OFF signal to every house, indicating that they hope the house owners to turn OFF some electric equipments.

This system can be connected to the unit if the unit is supposed to stop working during this period, and use the following parameter settings to activate this function.

13.1) Electrical Utility Lock

Set ON/OFF Electrical Utility Lock function.

13.2) Operation Signal for Electrical Utility Lock

Set the type of signal from electricity company. “Normally Open” means when unit can work as normal when it gets ON signal; the unit should stop working when it receives a OFF signal; “Normally Close” means the opposite.

13.3) HBH During Electrical Utility Lock

Set whether turn on HBH (Heating Back-up Heater), when unit is blocked by Electrical Utility Lock. e. g. gas boiler.

13.4) Working Mode of Pump During Electrical Utility Lock

Set the working of circulation pump when unit is blocked by Electrical Utility Lock. If it's activated, the circulation pump will keep on working when compressor stops. If it's not activated, the circulation pump will stop working when compressor stops.

3. Usage

14. Other Options



Ambient Temp. to Activate First Class Anti-freezing	6°C
Ambient Temp. to Activate Second Class Anti-freezing	4°C
Ambient Temp. to Stop Second Class Anti-freezing	6°C
Water Temp. to Activate Second Class Anti-freezing	5°C
Water Temp. to Stop Second Class Anti-freezing	12°C

Motorized Diverting Valve switching time	1Min
Power On Time for Motorized Diverting Valve	1Min
Refrigerant Recycle Function	0S
Control Panel Backlight Light	Always ON
Exit System	

Mode Switch during Defrosting	<input type="checkbox"/>
Fan Speed Limit	100%

14.1) Motorized Diverting Valve Switching Time

Set how many minutes as switching time of the motorized diverting valve spending on switching the water flow fully between DHW and Heating/Cooling circuit.

Note: This parameter must comply with the motorized diverting valve. Otherwise unit may not be able to work due to not enough water flow rate.

14.2) Power On Time for Motorized Diverting Valve

Set how long the motorized diverting valve should be powered, for switching the water flow fully between DHW and Heating/Cooling circuit.

14.3) Refrigerant Recycle

This function can be used by installers to recycle the refrigerant in the complete system into condensing unit for service purpose. When it is activated, unit will be forced to work in cooling operation for some time, to push all refrigerant back to condensing unit.

14.4) Control Panel Backlight Light

Set the backlight of touch screen operation panel to be “Always on” or how long before it becomes off for energy saving.

14.5) Exit System

Exit from unit program and returns to WINCE operation system. This is used for software updating.

3. Usage

14.6) Ambient Temp. to activate first class anti-freezing

14.7) Ambient Temp. to activate second class anti-freezing

14.8) Ambient Temp. to stop second class anti-freezing

14.9) Water Temp. to activate second class anti-freezing

14.10) Water Temp. to stop second class anti-freezing

These parameters are used for setting the anti-freezing protection of the unit in winter time, when unit is powered but turned OFF.

When ambient temperature is lower than first class anti-freezing starting ambient temperature, unit will circulate the water in the system at interval for anti-freezing.

When ambient temperature drops below second class anti-freezing starting ambient, temperature heat pump unit will start either compressor or backup heating sources to maintain the water temperature within the range “Water Temp. to activate second class anti-freezing” and “Water Temp. To stop second class anti-freezing”.

Note: This function is provided to the customer FREE OF CHARGE for helping their house heating and DHW water system free from freezing up. Customer should always have his own protection system for preventing the water system from freezing up. We have no responsibility or obligation if any damage has caused by water freezing.

14.11) Mode Switch during Defrosting

If water temperature is too low, the condenser may have the risk of freezing up and cause damage the complete refrigerant system. Thus, if water temperature in current working mode is too low for defrosting, unit will check the water temperature in other circuit. If the water temperature in other circuit is good enough for defrosting, it will switch the water flow to this circuit for defrosting operation automatically.

If there is no other circuit, or the water temp in other circuit is also not high enough for defrosting, unit will stop defrosting and automatically lift up the set water temperature, preparing for the next defrosting cycle.

If defrosting failed for over three times continuously, unit stops and can only be recovered by re-powering the machine. Please check the water system at this moment to ensure everything works properly before re-powering the unit.

Note:

This function can only work with outdoor software higher than AC13I20.WP.V004_T01 or AC13I17.WP.V009_T01, otherwise this function will interrupt the working of the machine during defrosting all the time.

14.12) Fan Speed Limit

This function is for reducing the fan speed in order to reduce the noise, however it would reduce the performance of the heat pump at the same time. The fan speed limitation can be set at down to two levels 95% and 90%. This function is not recommended unless the noise is strongly complained by customer/neighbor.

3. Usage

15. Unit Real-time Data



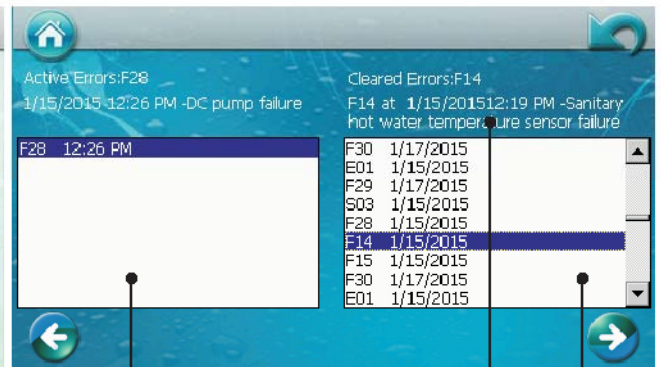
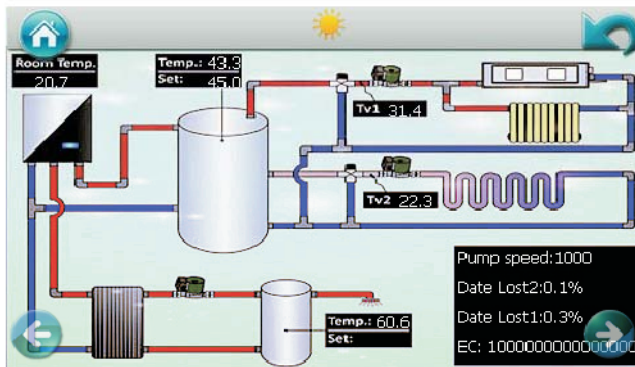
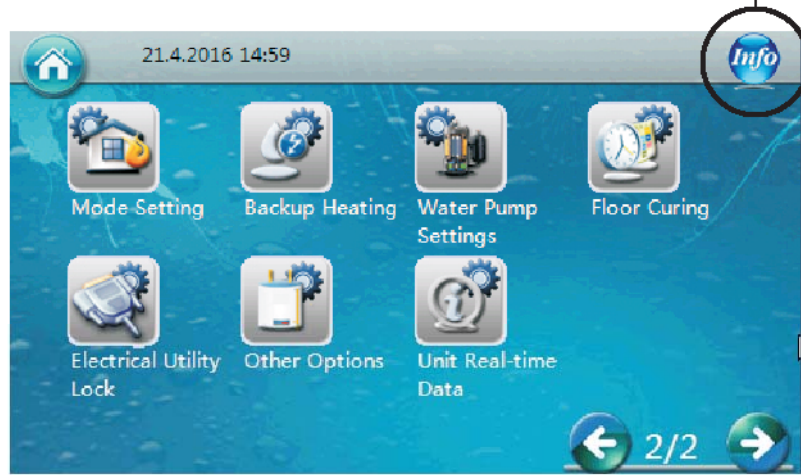
This menu is designed for viewing the running data of the system. Following parameters that are related to the working of the system can be viewed in this menu:

- 01): Control System Version No
- 02): Database Version
- 03): Heat Exchanger Water Outlet Temperature-Indoor - Tuo
- 04): Heat Exchanger Water Return Temperature-Indoor - Tui
- 05): Indoor Coil Temp. - Tup
- 06): Sanitary Hot Water Temp.- TW
- 07): Cooling/Heating Water Temp. -TC
- 08): Water Flow Rate
- 09): Compressor Working Speed
- 10): EEV Openings
- 11): Actual Ambient Temp.
- 12): Average Ambient Temp. in 1 Hour
- 13): Average Ambient Temp. in 24 Hour
- 14): High Pressure - Pd
- 15): Low Pressure - Ps
- 16): Discharge Temp. - Td
- 17): Suction Temp. - Ts
- 18): Outdoor Coil Temp. - Tp
- 19): Source Side Water Inlet temperature (For Water to Water unit only)
- 20): Source Side Water Outlet temperature (For Water to Water unit only)
- 21): Fan Speed
- 22): Fan Speed 2
- 23): Outdoor Unit Working Current
- 24): Voltage
- 25): Eeprom Version No.

3. Usage

Info

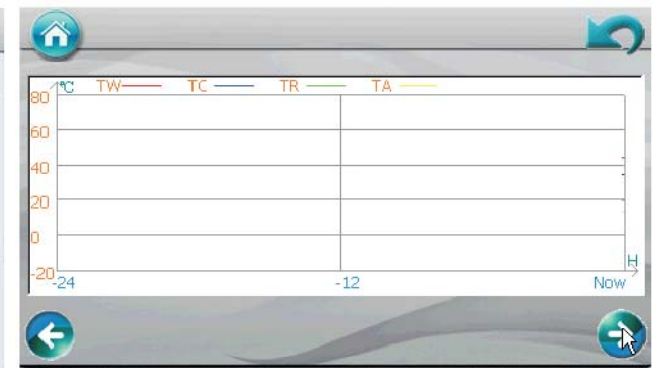
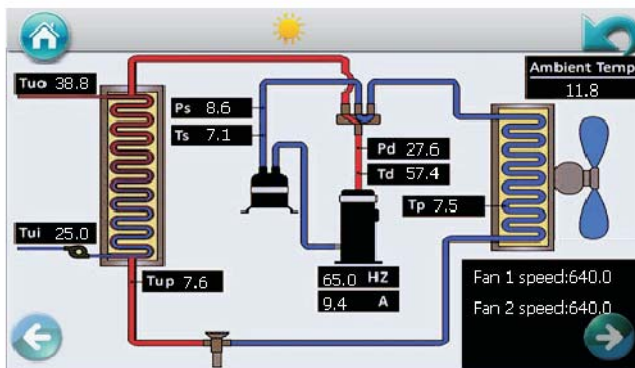
Press "Info" to view water system and water system working status.



Display of Failure Code

Display of Failure

Record of Previous Failure



TW----Water temperature for Sanitary hot water tank

Tc----Water temperature for buffer tank

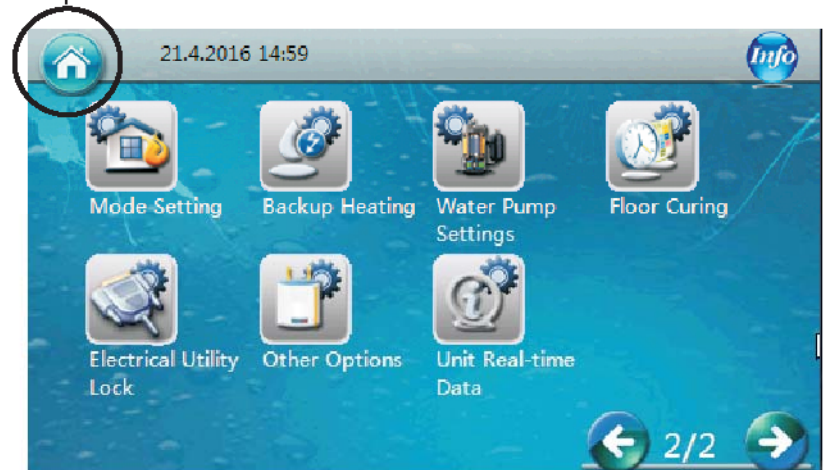
TR----Room temperature

TA----Ambient temperature

3. Usage

Home

Home: Press this button at any page, operation panel goes back to home page.



3.3 Electric heater

The inbuilt electric heater can be used as a back-up heater or auxiliary heater to our heat pump unit, when ambient temperature is too low, or heat pump fails to work properly, which causes insufficient heat.

This heater will start to work when any of following two conditions is met:

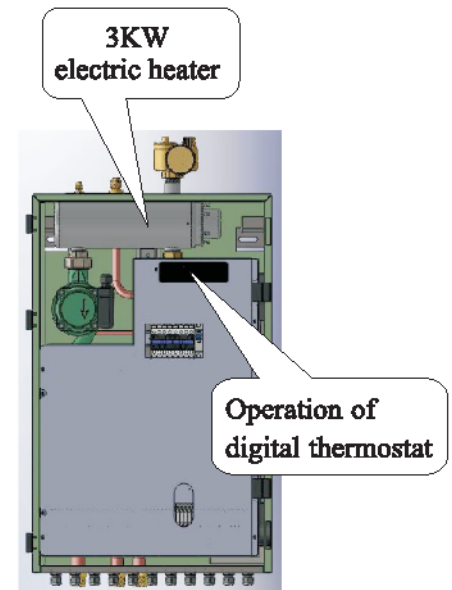
1. Water temperature is lower than what is set via digital thermostat for electric heater.
2. Heat pump unit thinks its capacity is not enough, so it turns ON the heater.

3. Usage

3.3 Electric heater

Notice!

- ◆ There is a separate power cable for electric heater on top of indoor unit. It supplies the power to electric heater directly.
- ◆ Make sure the unit is full of water before turning it on.
- ◆ Do not touch it to get burned when it is turned on. High temperature here.
- ◆ Make sure the power supply to the heater corresponds to the specifications.
- ◆ The installation, dismantlement and maintenance of the heater must be performed by qualified personnel. It is forbidden to do any changes to the structure of the heater.
- ◆ Digital thermostat is default set to 30°C.
- ◆ Maximum set temperature of digital thermostat is 120°C. But it is strongly suggest not to set the temperature over 75°C, otherwise it may make the unit build up too high pressure inside and cause damage or danger.



This heater (AH) is controlled by heat pump unit automatically according to the parameter setting in menu "Backup Heating".





In case the heat pump control system breaks down, customer can manual set a set temperature for water circulates through the unit via the digital thermostat for Electric Heater (AH).

Important Notice: Before turn ON the thermostat, system must be full filled with water and correctly air purged, otherwise electric may get over heat and cause fire.

3. Usage

Operation of digital thermostat



- 1) Press  for 3 seconds to turn ON OFF of the electric heater. When heater is turned OFF, it shows "- - -".
- 2) When heater is turned ON, press  for 3 seconds to show the set temperature. After release, this set temperature blinks on the display.
- 3) When set temperature is blinking, press  or  to increase or decrease the set temperature of electric heater.
- 4) Controller will save this setting and show actual water temperature in the display if no operation in 6 seconds.

3.4 Failure codes

【Outdoor】

Type	Code	Description	Blinking times	Unit working statue	Solution
Protection	P01	Main line current protection	1	Compressor stops	Input current too high or too low, or system works in over-load condition. Unit recovers automatically after 5 minutes when it happened the first time. If same failure happened 3 times in a certain period of time, unit stops until repowered. Check unit input current. Check whether fan motor and water pump is working OK; whether condenser is blocked; whether water temperature too high, and whether water inlet&outlet temperature has too big difference (should no bigger than 8°C)
	P02	Compressor phase current protection	2	Compressor stops	Compressor input current too high or too low, or system works in over-load condition. Check compressor input current. Check whether fan motor and water pump is working OK; whether condenser is blocked; whether water temperature too high, and whether water inlet&outlet temperature has too big difference (should no bigger than 8°C)
	P03	IPM module protection	3	Compressor stops	Compressor drive failure. Check whether cable is broken or loosen. Check whether compressor driver PCB or compressor is broken.
	P04	Compressor oil return protection	4	Compressor speed up	If unit has been continuously working in low speed for certain period of time, unit starts this protection to suck compressor oil back into compressor. This is a normal protection and doesn't need any treatment.
	P05	Compressor shut down due to high/low pressure switch open caused by abnormal high/low pressure	5	Compressor stops	If system pressure is too high or too low, it activates this protection. Unit recovers automatically after 5 minutes when it happened the first time. If same failure happened 3 times in a certain period of time, unit stops until repowered. Check whether fan motor and water pump is working OK; whether condenser is blocked; whether water temperature too high, and whether water inlet&outlet temperature has too big difference (should no bigger than 8°C)

3. Usage

Type	Code	Description	Blinking times	Unit working statue	Solution
Protection	P06	Compressor speed down due to abnormal high pressure detected by condensing pressure sensor	6	Compressor stops	If system pressure is too high , it activates this protection. Unit recovers automatically after 5 minutes when it happened the first time. If same failure happened 3 times in a certain period of time, unit stops until repowered. Check whether fan motor and water pump is working OK; whether condenser is blocked; whether water temperature too high, and whether water inlet&outlet temperature has too big difference (should no bigger than 8℃)
	P07	Compressor preheating	7	Standard function, doesn't need any treatment.	This is a normal protection and doesn't need any treatment. When compressor did not work for long time and ambient temperature is low, compressor crankcase heater work for certain period of time before compressor start to warm up the compressor.
	P08	Compressor discharge temp. too high protection	8	Compressor stops	Check whether water temperature set value is too high, especially when ambient temperature is low; whether water flow rate too small; whether system is lacking of enough refrigerant.
	P09	Outdoor evaporator coil temp. sensor protection	9	Compressor stops	Check whether air circulates fluently in outdoor unit.
	P10	AC over high/low voltage protection	10	Compressor stops	Unit input voltage too high or too low. Check the voltage of unit power supply.
	P11	Compressor shut down due to too high/low ambient temperature	11	Compressor stops	Ambient temperature is too high or too low for unit to work.
	P12	Compressor speed limit due to too high/low ambient temperature	0	Compressor speed down	This is a normal protection and doesn't need any treatment.
	P14	Compressor speed down due to abnormal low pressure detected by condensing pressure sensor	14	Compressor stops	If system pressure is too low , it activates this protection. Unit recovers automatically after 5 minutes when it happened the first time. If same failure happened 3 times in a certain period of time, unit stops until repowered. Check whether system has not enough refrigerant or leakage inside(more likely it is not enough refrigerant that caused this abnormal evaporating pressure); whether fan motor and water pump is working OK; whether condenser is blocked; whether EEV whether EEV works normally; whether water temperature too low, and whether water inlet&outlet temperature has too big difference in cooling(should no bigger than 8℃).
Failure	F01	Outdoor ambient temp. sensor failure	17	Compressor stops	Check whether ambient temperature sensor is open, short-circuit or value drifts too much. Replace it if necessary.
	F02	Outdoor evaporator coil temp. sensor failure	18	Compressor stops	Check whether outdoor coil temperature sensor is open, short-circuit or value drifts too much. Replace it if necessary.
	F03	Compressor discharge temp. sensor failure	19	Compressor stops	Check whether compressor discharge temperature sensor is open, short-circuit or value drifts too much. Replace it if necessary.
	F04	Outdoor Suction temp. sensor failure	20	Compressor stops	Check whether outdoor suction temperature sensor is open, short-circuit or value drifts too much. Replace it if necessary.
	F05	Evaporating pressure sensor failure	21	Compressor stops	Check whether evaporating temperature sensor is open, short-circuit or broken. Replace it if necessary.
	F06	Condensing pressure sensor failure	22	Compressor stops	Check whether condensing temperature sensor is open, short-circuit or broken. Replace it if necessary.
	F07	High/low pressure switch failure	23	Compressor stops	If pressure switch is in open position when unit is in standby statue, or 2 minutes after compressor stops, unit gives this failure. Check whether high or low pressure switch is broken or not well connected.
	F09	DC fan failure (one)	25	Compressor speed down	Speed of DC fan or one of the DC fan (for dual fan system) can't reach the required value or no feedback signal. Please check whether the PCB or fan motor is broken.

3. Usage

Type	Code	Description	Blinking times	Unit working statue	Solution
Failure	F10	DC fan failure (two)	26	Compressor stops	Speed of both DC fans (for dual fan system) can't reach the required value or no feedback signal. Please check whether the PCB or fan motor is broken.
	F11	System evaporating pressure too low	27	Compressor stops	If system too low pressure protection detected by evaporating pressure sensor happened 3 times in a certain period of time, it gives this failure code and unit can't be restarted until repowered. Check whether system has not enough refrigerant or leakage inside (more likely it is not enough refrigerant that caused this abnormal evaporating pressure); whether fan motor and water pump is working OK; whether condenser is blocked; whether BEV whether BEV works normally; whether water temperature too low, and whether water inlet&outlet temperature has too big difference in cooling (should no bigger than 8℃).
	F12	System condensing pressure too high	28	Compressor stops	If system too high pressure protection detected by condensing pressure sensor happened 3 times in a certain period of time, it gives this failure code and unit can't be restarted until repowered. Check whether water flow rate is not enough (more likely it is not enough water flow rate that caused system build up too high pressure); whether fan motor and water pump is working OK; whether condenser is blocked; whether BEV works normally; whether water temperature too high, and whether water inlet&outlet temperature has too big difference (should no bigger than 8℃)
System failure	E01	Communication between operation panel and indoor PCB or outdoor PCB failure	33	Compressor stops	Communication failure between operation panel and the indoor or outdoor PCB. Check the cable connection in between. Check whether the last three switches on outdoor power PCB are set to 001; Whether four switches on indoor PCB are set to 1000. Unit recovers when communication recovers.
	E02	Communication between outdoor main control PCB and module PCB	34	Compressor stops	Check the communication cable between outdoor power PCB and deiver PCB. Check whether outdoor power PCB and deiver PCB is broken.
	E03	Compressor phase current failure (open/short circuit)	35	Compressor stops	Check whether the power cable to compressor is broken or short-circuit.
	E04	Compressor phase current overload (over current)	36	Compressor stops	Check whether the power cable to compressor is broken or short-circuit.
	E05	Compressor driver failure	37	Compressor stops	Check whether compressor drive PCB is broken, or cable to compressor is wrong connected.
	E06	Module VDC over high/low voltage failure	38	Compressor stops	Input voltage too high or too low.
	E07	AC current failure	39	Compressor stops	Check the current to outdoor unit, and compare it with the unit current shown on the operation panel. If the difference is not big, check whether the system has enough refrigerant (more likely it is not enough refrigerant that caused this abnormal low current). If the difference is big, outdoor power PCB is broken. Please replace it with a new one.
	E08	EEPROM failure	40	Compressor stops	Cut the unit power and short-circuit JP404 port on outdoor power PCB, repower the unit, cut power again and cancel the short-circuit on JP404 port. If still not OK, replace the outdoor power PCB.

3. Usage

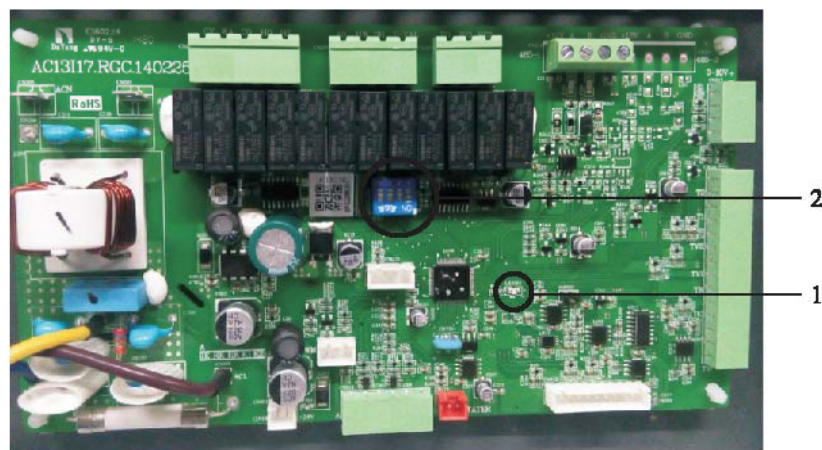
【Indoor】

Type	Code	Description	Blinking times	Unit working statue	Solution
Failure	F13	Room temp. sensor failure	7	Unit stops	Check whether room temperature sensor is open, short-circuit or value drifts too much. Replace it if necessary.
	F14	Sanitary hot water temp. sensor failure	3	Unit stops	Check whether sanitary hot water temperature sensor is open, short-circuit or value drifts too much. Replace it if necessary.
	F15	Cooling/heating water temp. sensor failure	6	Unit stops	Check whether cooling/heating water temperature sensor is open, short-circuit or value drifts too much. Replace it if necessary.
	F16	Unit water outlet temp. sensor failure	4	Unit stops	Check whether unit water outlet temperature sensor is open, short-circuit or value drifts too much. Replace it if necessary.
	F17	Unit water inlet temp. sensor failure	5	Unit stops	Check whether unit water inlet temperature sensor is open, short-circuit or value drifts too much. Replace it if necessary.
	F18	Indoor coil temp. sensor failure	8	Unit stops	Check whether indoor temperature sensor is open, short-circuit or value drifts too much. Replace it if necessary.
	F21	Mixture valve 1 temperature sensor failure	11	Unit keep on working, mixture valve 1 output fixed to 0.	Check whether TV1 temperature sensor is open, short-circuit or value drifts too much. Replace it if necessary.
	F22	Mixture valve 2 temperature sensor failure	12	Unit keep on working, mixture valve 2 output fixed to 0.	Check whether TV2 temperature sensor is open, short-circuit or value drifts too much. Replace it if necessary.
	F25	Communication between operation panel and indoor PCB or outdoor PCB failure	1	Unit stops	Communication failure between operation panel and the indoor or outdoor PCB. Check the cable connection in between. Check whether the last three switches on outdoor power PCB are set to 001; Whether four switches on indoor PCB are set to 1000. Unit recovers when communication recovers.
	F27	Indoor EEPROM failure	13	Unit keep on working	Cut the unit power, connect CN213-5 and CN213-6 together, repower the unit and then cut the power and cancel the connect. If still not OK, replace the indoor PCB.
	F28	Water pump PWM signal feedback failure	14	Unit keep on working	Check water pump cable connection; check power supply to water pump; check whether water pump is broken.
	F29	Mixture valve 1 failure	17	Unit keep on working, mixture valve 1 output fixed to 0.	Check MV1 cable connection; check whether PCB output voltage signal; check whether MV1 is broken.
F30	Mixture valve 2 failure	18	Unit keep on working, mixture valve 2 output fixed to 0.	Check MV2 cable connection; check whether PCB output voltage signal; check whether MV2 is broken.	
Protection	S01	Indoor anti-freezing protection in cooling		Compressor speed down or stop	Compressor speed down if coil temp. lower than 2℃; Compressor stops if coil Temp. lower than -1℃; Compressor restarts if coil Temp. higher than 6℃. 1. Check whether set temperature for cooling is too low; whether system has too small water flow rate; check water system especially the filter. 2. Check whether system has not enough refrigerant inside by measuring the evaporating pressure. 3. Check whether ambient temperature is lower than 15℃.
	S02	Too small water flow rate		Compressor stops	System water flow rate is less than minimum allowable flow rate. Check the water system, especially the filter; check the working statue of water pump.
	S03	Water flow switch failure		Warning but unit keeps on working	Water flow switch failed to work. Check whether flow switch is broken or not well connected.
	S04	Communication failure		Unit stops	Communication data lost too much. Check whether communication cable is longer than 30M; whether there has a source of the disturbance nearby the unit. Unit recovers when communication recovers.

3. Usage

Type	Code	Description	Blinking times	Unit working statue	Solution
Protection	S05	Serial port connect error		Unit stops	Communication failure between operation panel and the indoor or outdoor PCB. Check the cable connection in between. Check whether the last three switches on outdoor power PCB are set to 001; Whether four switches on indoor PCB are set to 1000. Unit recovers when communication recovers.
	S06	Water outlet Temp. too low protection in cooling		Compressor stops	Compressor stops if water outlet is lower than 5°C in cooling mode. Check whether temperature sensor Tc is OK and well connected; whether set water temperature too low; whether system flow rate too small.
	S07	Water outlet Temp. too high protection in heating/hot water		Compressor stops	Compressor stops if water outlet is higher than 57°C in heating or hot water mode. Check whether temperature sensor Tc and Tw is OK and well connected; whether set water temperature too high; whether system flow rate too small.
	S08	Defrosting Failure		Compressor stops	If unit continuously failed to finish the defrosting operation for three times, it stops and give failure code S08. This can only be recovered by re-powering the machine. Please check whether the actual water temperature is too low for the unit to defrost, so the plate heat exchanger has the risk of freezing up.
	S09	Water Outlet temp. too low protection in heating/hot water		Compressor stops and AH(or HBH) works	If unit stops and AH(or HBH) starts if water outlet temperature is lower than 15°C in heating and hot water mode. Compressor restarts when the temperature is higher than 17°C. This is a protection for protecting the safety of the compressor, as too low water temperature in heating or hot water mode may kill the compressor.
	S10	Too small water flow rate failure		Compressor stops	If unit stops due to "too small water flow rate" protection(S02) over three times in certain period of time, units stops and gives S10 failure code. It can only be recovered by re-powering the unit. Check the water system, especially the filter; check the working statue of water pump.
	S11	Indoor anti-freezing protection failure in cooling		Compressor stops	If unit stops due to "Indoor anti-freezing protection in cooling(S01)" over three times in certain period of time, units stops and gives S11 failure code. It can only be recovered by re-powering the unit.

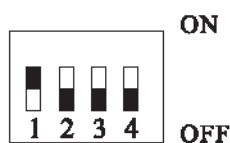
【Indoor PCB】



1. LED indicator light on Indoor PCB

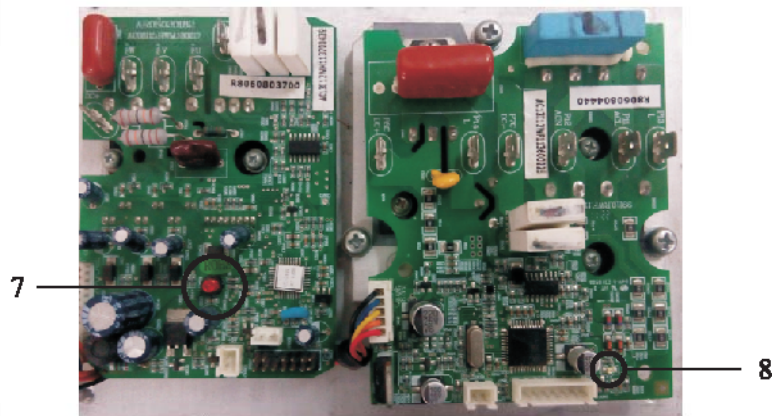
2. Dip switch on indoor PCB

Factory Default Setting:



3. Usage

【Outdoor PCB】

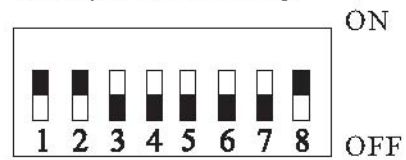


3. LED indicator light on Power PCB
 Factory Default Setting:
 Standby—flickers (2s ON, 2s OFF)
 On when unit is running
 Failure—flickers (0.5s ON, 2s OFF)

4. JP404 position of jumper for EEPROM programming or refreshing (this jumper must be taken out after programming, otherwise the unit can't work)

5. Connector for software burning tool

6. Dip switch on outdoor PCB
 Factory Default Setting:



7/8. LED indicator light on outdoor Drive PCB in normal operation: flickers (2s ON, 2s OFF)

4. Maintenance

4.1 Attention

- 1) The user mustn't change the structure or wiring inside the unit.
- 2) The service and maintenance should be performed by qualified and well-trained technician. When the unit fails to run, please cut off power supply immediately.
- 3) The smart control system can automatically analyze various protection problems during daily use, and display the failure code on the controller. The unit may recover by itself. Under normal operation, the piping inside the unit don't need any maintenance.
- 4) In normal ambient conditions, the user only needs to clean the surface of the outdoor heat exchanger per month or quarter of a year.
- 5) If the unit runs in a dirty or oily environment, please clean the outdoor heat exchanger by professionals, using specified detergent, to ensure the performance and efficiency of the unit.
- 6) Please pay attention to the ambient environment, to check if the unit is installed firmly, or whether the air inlet and outlet of the outdoor unit is blocked.
- 7) Unless the water pump is damaged, no special service or maintenance should be taken to the water system inside the unit. It's recommended to clean water filter regularly or change it when it's very dirty or blocked.
- 8) If the unit will not be used in winter for a long time, please drain all the water inside the system, to prevent the water pipes from damage due to freezing.

4.2 Cleaning of water filter

The water filter should be cleaned according to the manual of water filter, to ensure the water flow of the water system. It is recommended that it be cleaned once in the first month, and then, once half a year.

4.3 Cleaning of plate heat exchanger

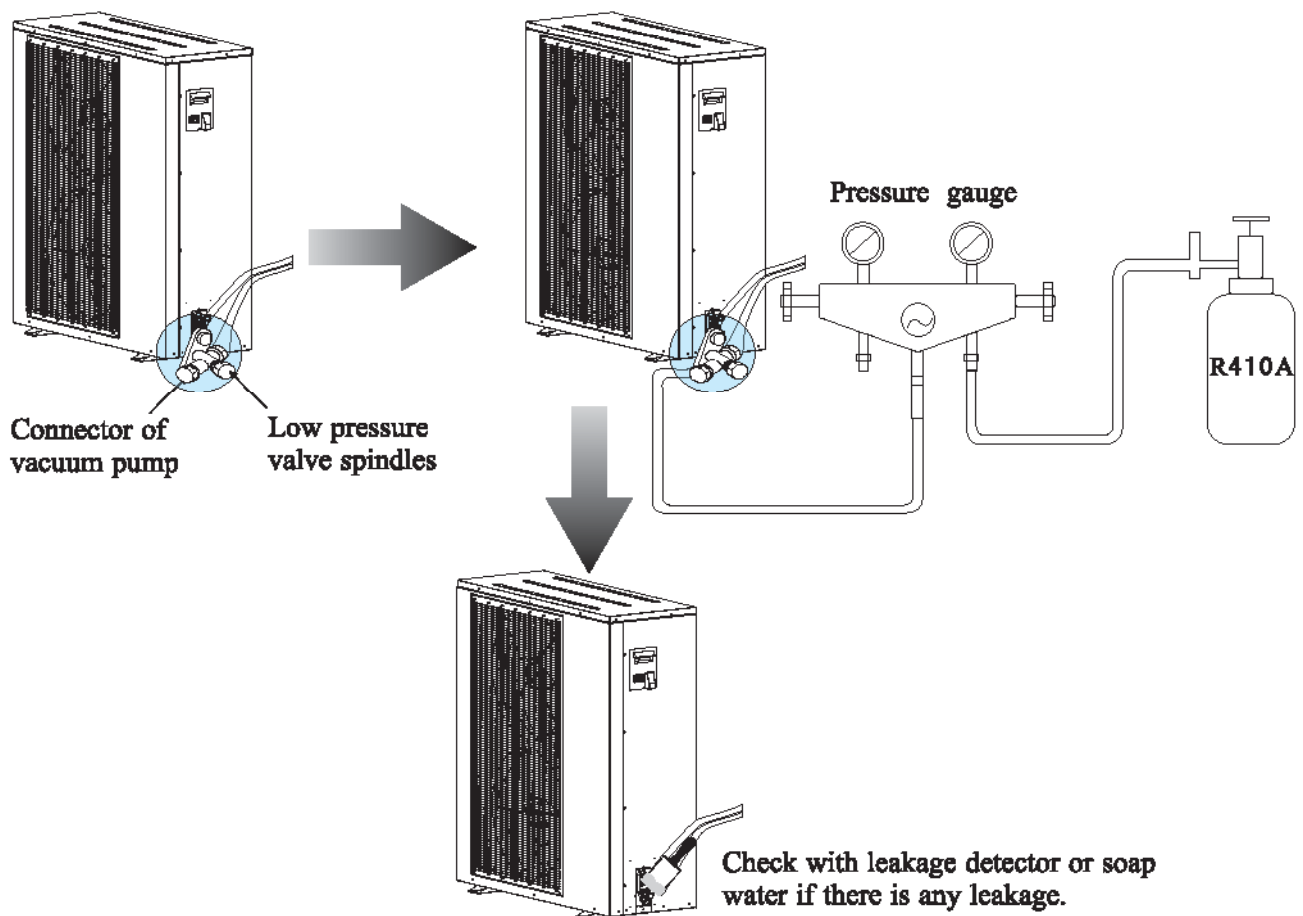
Thanks to the normally very high degree of turbulence in the heat exchanger, there is a self-cleaning effect in the channels. However, in some applications the fouling tendency can be very high, e.g. when using extremely hard water at high temperatures. In such cases it is always possible to clean the exchanger by circulating a cleaning liquid (CIP-Cleaning In Place). Use a tank with weak acid, 5% phosphoric acid or, if the exchanger is frequently cleaned, 5% oxalic acid. Pump the cleaning liquid through the exchanger. This work should be done by qualified person. For further information, please contact your supplier.

4. Maintenance

4.4 Gas charging

The refrigerant plays an important role in delivering energy in cooling or heating. Insufficient refrigerant affects directly efficiency of cooling and heating. Please pay attention to the following before adding refrigerant:

- 1) The work should be done by professionals.
- 2) If the system has not enough refrigerant inside, please check whether the system has leakage inside. If yes, please repair it before gas charging, otherwise unit will lack of refrigerant again after working for a short period.
- 3) Don't add too much refrigerant than required, or it may cause a lot of failures, such as high pressure and low efficiency.
- 4) This system uses R410A refrigerant. It is strictly forbidden to charge any refrigerant other than R410A into the system.
- 5) There must be no air in the refrigerant circulation, because air will cause abnormal high pressure, which will damage the gas piping and lower heating or cooling efficiency.
- 6) If the refrigerant leaks inside the house, please keep windows open for few minutes even R410A refrigerant do no harm to health.
- 7) The steps are as follows:
Use 5/8" or 1/2" connector for gas charging and run the unit in cooling mode.



Note: Always use a weight scale to measure the gas amount charged into the unit.

4. Maintenance

4.5 Condenser coil

The condenser coils do not require any special maintenance, except when they are clogged by paper or any other foreign objects. Cleaning is by washing with detergent and water at low pressure, and then rinsing with clean water:

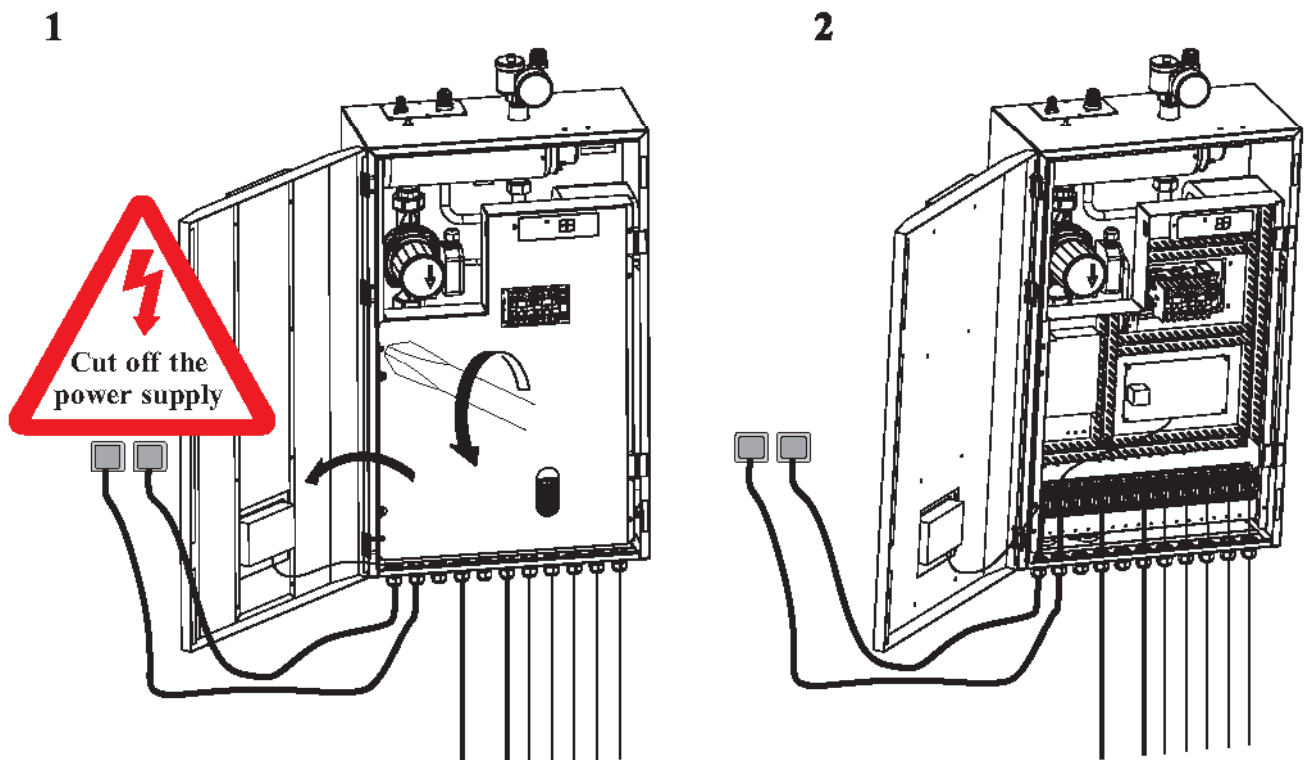
- 1) Before cleaning, make sure the unit is off.
- 2) Inner of the unit must be cleaned by qualified person.
- 3) Do not use gasoline, benzene, detergent etc. to clean the unit. And do not spray with insecticide. Otherwise the unit may be damaged. The cleanser special made for air conditioner cleaning is recommended.
- 4) Spray air conditioner cleanser into the coils. Let the cleaner sit for 5-8 minutes.
- 5) Then, spray the coil with clean water.
- 6) An old hairbrush works well for brushing surface dirt and lint off the fins. Brush in the same direction as the slots between the fins so the bristles go between the fins.
- 7) After cleaning, use a soft and dry cloth to clean the unit.



4.6 Service of indoor unit

4.6.1 Maintenance of the electric components

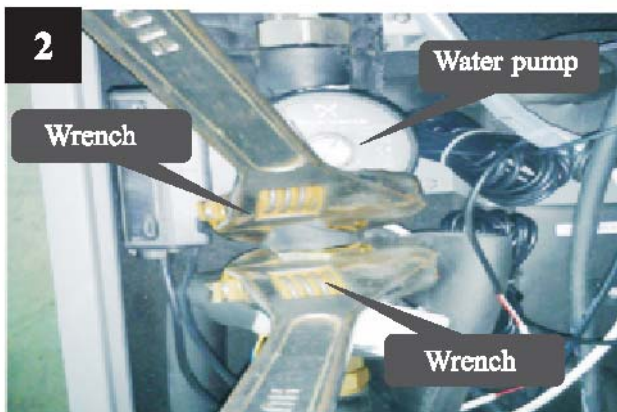
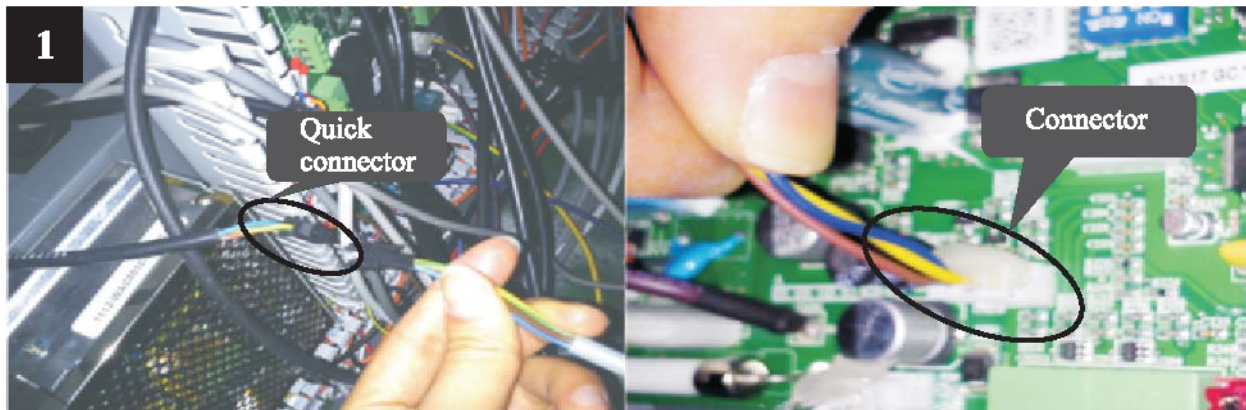
- 1) Cut off the power supply, open the indoor unit front panel and take off the electronic box cover.
- 2) Do necessary service to electronics.



4. Maintenance

4.6.2 Replacement of water pump

- 1) Cut off the power supply, open the front panel and take off the electric box cover. Disconnect quick connector of water pump power cable, and pull out the signal cable connected to the indoor PCB.
- 2) Cut water supply to the unit, and drain out water in the indoor unit away. Use a wrench to loosen the connectors of water pump, and take the pump out from the unit.
- 3) Connect a new pump back to water system and electric system of the unit.

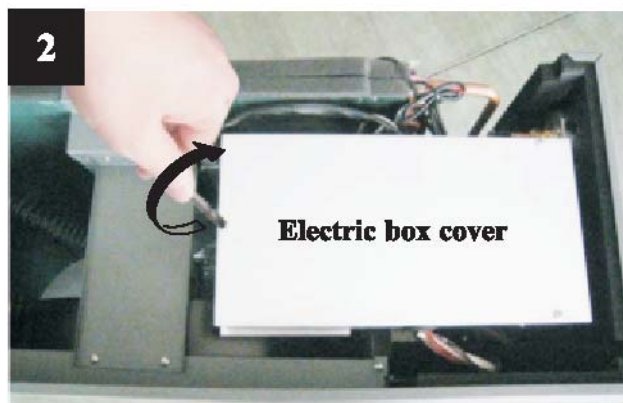


4. Maintenance

4.7 Service of outdoor unit

4.7.1 Maintenance of controller

- 1) Cut off the power supply, take off the top cover of the unit.
- 2) Take off the electric box cover.
- 3) Do necessary maintenance work to the controller of outdoor unit .



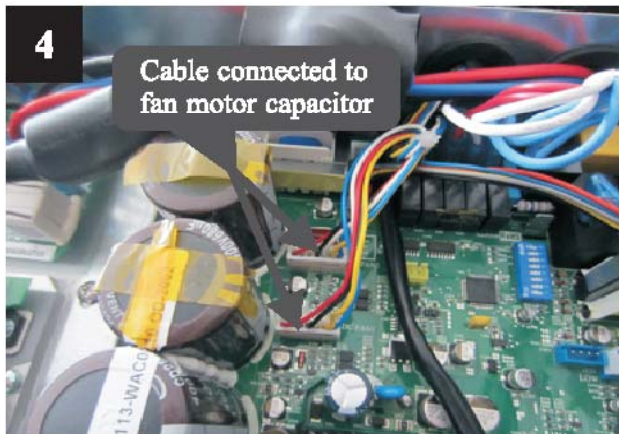
4. Maintenance

4.7.2 Replacement of fan motor

- 1) Cut off the power supply, take off screws of the front grill.
- 2) Use a wrench to loosen the nut for fan blade and take out the fan blade.
- 3) Take off the screws of fan motor.
- 4) Plug out power cable for fan motor from PCB.
- 5) Put the repaired or new fan motor back and connect all cables back.



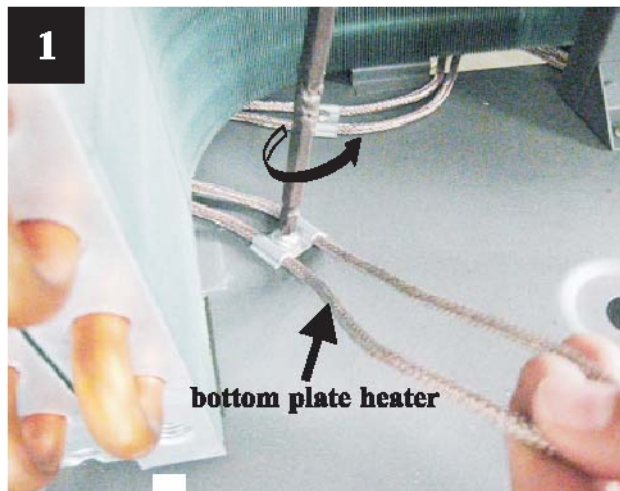
4. Maintenance



4. Maintenance

4.7.3 Replacement of bottom plate heater

- 1) Cut off the power supply, follows 4.7.2 to take out the fan blade.
- 2) Take off the fixture of bottom plate heater(see picture 1).
- 3) Disconnect the quick connector for bottom plate heater and take the heater out (see picture 2).
- 4) Put a new bottom plate heater back, and connect it to the quick connector(see picture 3).



4. Maintenance

4.8 Trouble shooting

Failure	Cause	Solution
Unit can't start up	1. No power supply	1. Check the power supply
	2. Fuse is broken or circuit breaker is disconnected	2. Check if it's open circuit or if the unit is earthed. Then change a fuse and reset the breaker, check if the circuit is stable or the connection is well.
	3. Some kind of protection works	3. Check which protection is working, and clear the protection, then restart the unit.
	4. Wiring is loose	4. Check the wire connection and tighten the screws on the terminal
	5. compressor fails	5. Change a compressor
Fan fails to run	1. Fan motor wire loose	1. Check the wire connections.
	2. fan motor failure	2. Change fan motor.
Low heating performance	1. The coil fins are very dirty	1. Clean the evaporator coil
	2. Air inlet is blocked	2. Remove any object that blocks the air circulation of the unit.
	3. Insufficient of refrigerant	3. Inspect the unit for leakage and fix it if any. Discharge all refrigerant and charge the unit again with correct amount.
Too high noise from the water pump, or no water flow when the water pump is running	1. Lacking of water in water system	1. Check the water filling device. Fill the system with enough water.
	2. Air exists in water system	2. Purging the air out.
	3. Valves in water system are not completely opened	3. Check all the valves to ensure they are fully opened.
	4. Water filter is dirty or blocked	4. Clean the water filter
Too high compressor discharge pressure	1. Too much refrigerant	1. Discharge all refrigerant and charge the unit again with right amount.
	2. Air exists in refrigeration system	2. Discharge all refrigerant and charge the unit again with right amount.
	3. Inadequate water flow	3. Check the water flow of the system. Use a bigger pump to increase the water flow if necessary.
	4. Too high water temperature	4. Check the value of the water temperature sensor, to ensure it works properly.
Too low suction pressure	1. Drier filter is blocked	1. Change a new one
	2. Electronic expansion valve is not opened	2. Repair or change a new one
	3. Leakage of refrigerant	3. Inspect the unit for leakage and fix it if any. Discharge all refrigerant and charge the unit again with right amount.
Unit can not defrost properly	1. Coil temperature sensor failure	1. Check the position and value of the coil temperature sensor. Replace it if necessary.
	2. Air inlet/outlet is blocked	2. Remove any object that blocks the air circulation of the unit. Clean the evaporator coil occasionally.

4. Maintenance

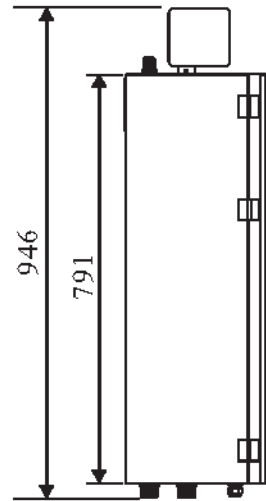
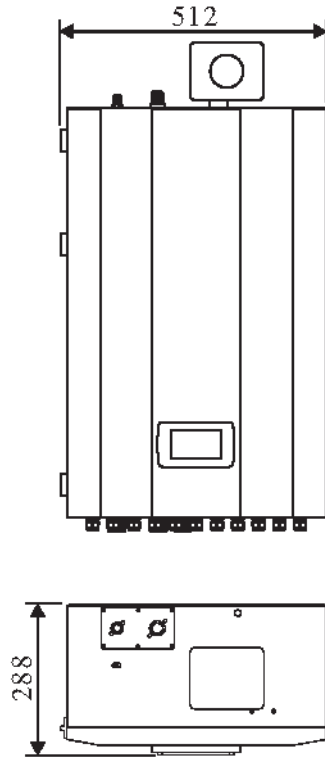
**The following phenomenon may not be problems of unit itself.
Please contact with a professional maintenance staff for help.**

Number	Failure	Solution
1	The unit is not running	When the unit restarts, the compressor will start 3 minutes later (self-protection of compressor), please check if the circuit breaker is disconnected, and if there is normal power supply for the wire controller.
2	Low capacity	Check if the air inlet or outlet is blocked in outdoor unit; check if the setting temperature is too high in cooling mode, or too low in heating mode.

5. Attached drawing

5.1 Outlines and dimensions

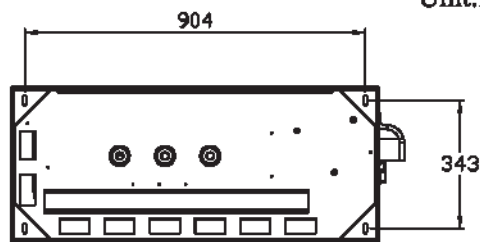
Indoor — AVH-09V1DE-II
AVH-11V1DE-II
AVH-13V1DE-II



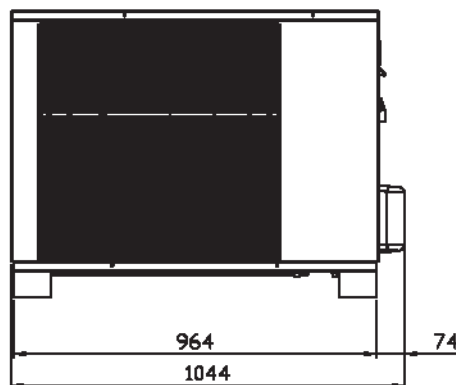
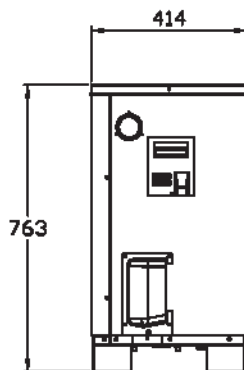
Unit:mm

Outdoor — AVH-09V1DE-II

Refrigerant connector
dimension:3/8" and 1/2"



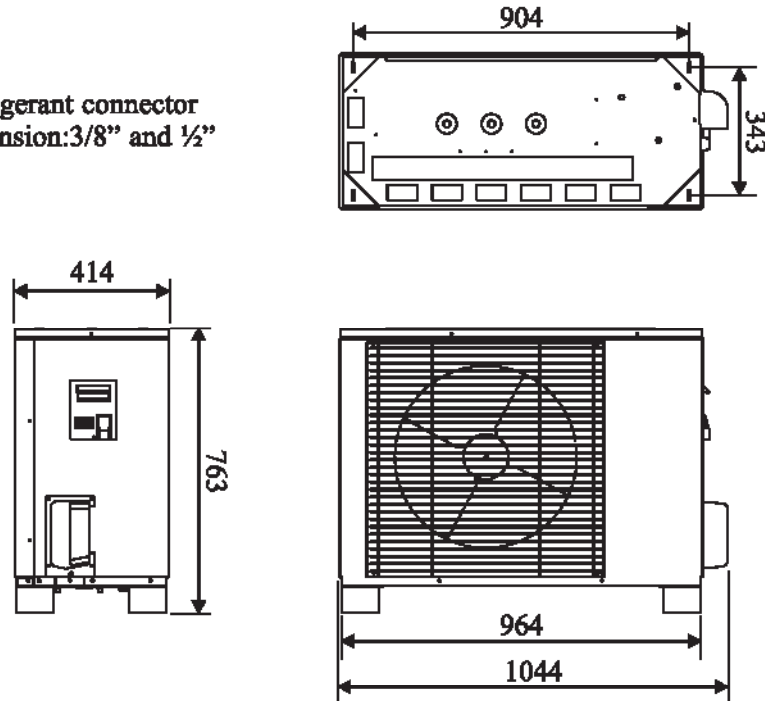
Unit:mm



5. Attached drawing

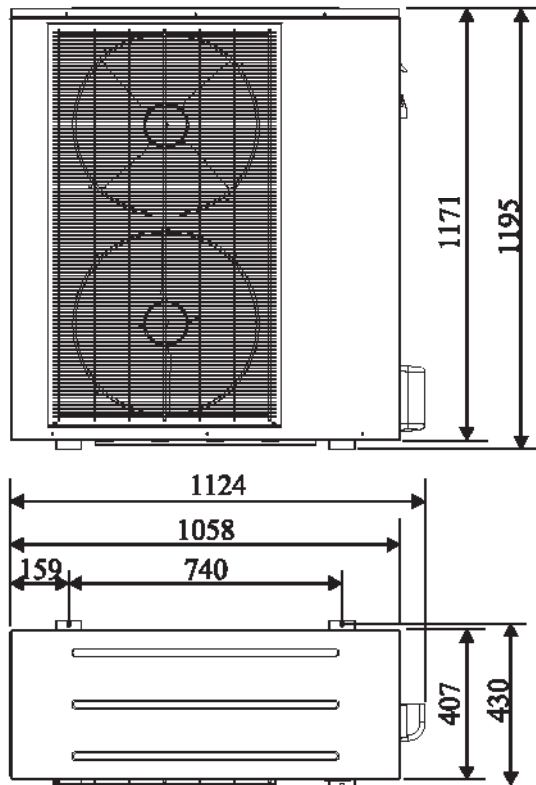
Outdoor — AVH-11V1DE-II

Refrigerant connector dimension: 3/8" and 1/2"



Unit:mm

Outdoor — AVH-13V1DE-II



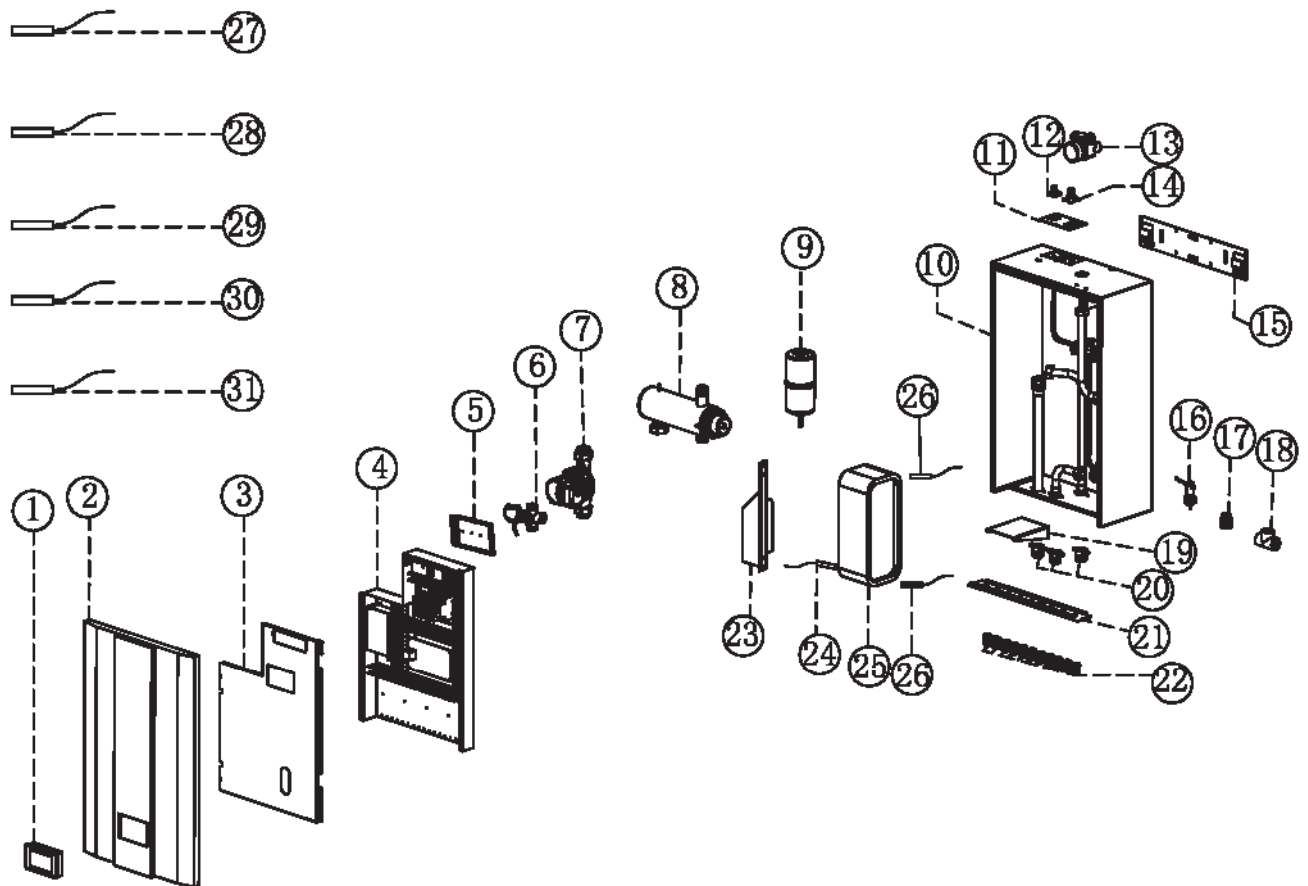
Unit:mm

Refrigerant connector dimension: 3/8" and 5/8"

5. Attached drawing

5.2 Exploded view

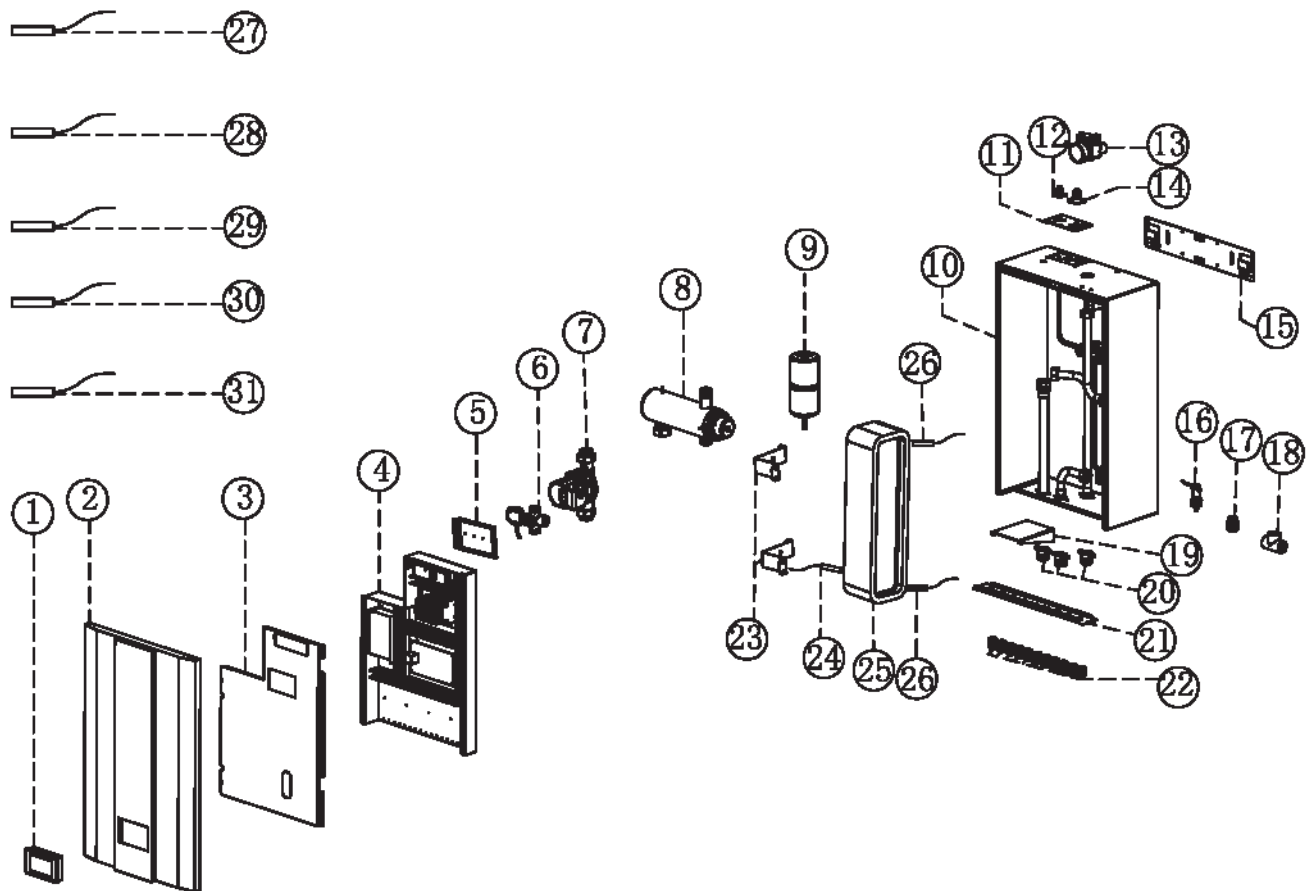
Indoor — AVH-09V1DE-II
AVH-11V1DE-II



NO	Name	NO	Name	NO	Name
1	Operation panel	12	3/8" Connector	23	Plate heat exchanger fixture
2	Door	13	Safety valve kit	24	Coil temperature sensor
3	Electric box cover	14	1/2" Connector	25	Plate heat exchanger
4	Electric box	15	Wall bracket	26	Water outlet temperature sensor
5	Contactor fixture	16	Flow switch	27	Water inlet temperature sensor
6	Electric 3-way valve	17	Water Connector	28	MV 1 temperature sensor
7	Water pump	18	T valve	29	MV 2 temperature sensor
8	Electric heater	19	Plate heat exchanger fixture-3	30	Cooling temperature sensor
9	Refrigerant expansion tank	20	Water connector		Heating temperature sensor
10	Casing	21	Cable fixture board	31	Room temperature sensor
11	Connector fixture	22	Cable fixture		

5. Attached drawing

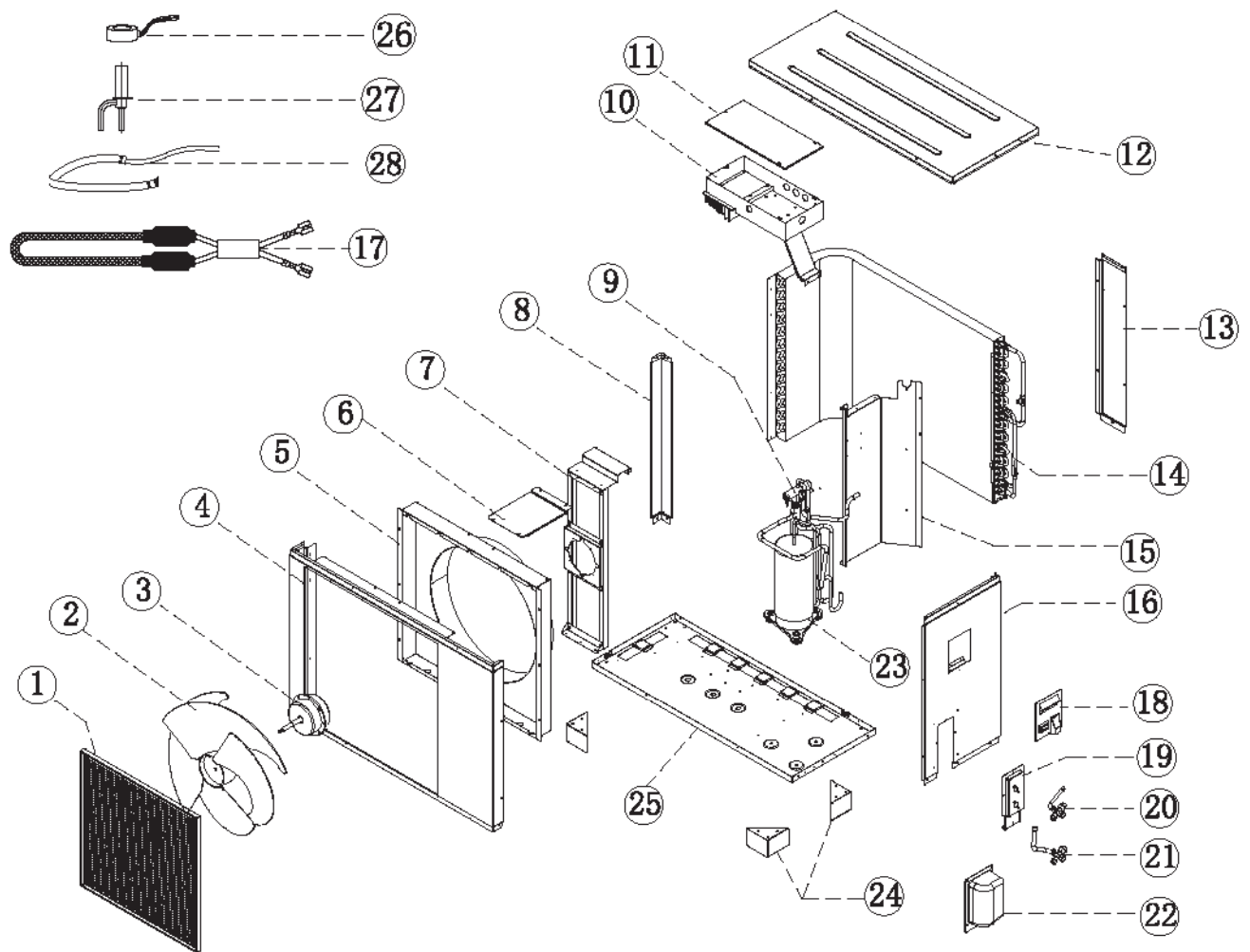
Indoor —— AVH-13V1DE-II



NO	Name	NO	Name	NO	Name
1	Operation panel	12	3/8" Connector	23	Plate heat exchanger fixture-2
2	Door	13	Safety valve kit	24	Coil temperature sensor
3	Electric box cover	14	5/8" Connector	25	Plate heat exchanger
4	Electric box	15	Wall bracket	26	Water outlet temperature sensor
5	Contactor fixture	16	Flow switch	27	Water inlet temperature sensor
6	Electric 3-way valve	17	Water Connector	28	MV 1 temperature sensor
7	Water pump	18	T valve	29	MV 2 temperature sensor
8	Electric heater	19	Plate heat exchanger fixture-3	30	Cooling temperature sensor
9	Refrigerant expansion tank	20	Water connector		Heating temperature sensor
10	Casing	21	Cable fixture board	31	Room temperature sensor
11	Connector fixture	22	Cable fixture		

5. Attached drawing

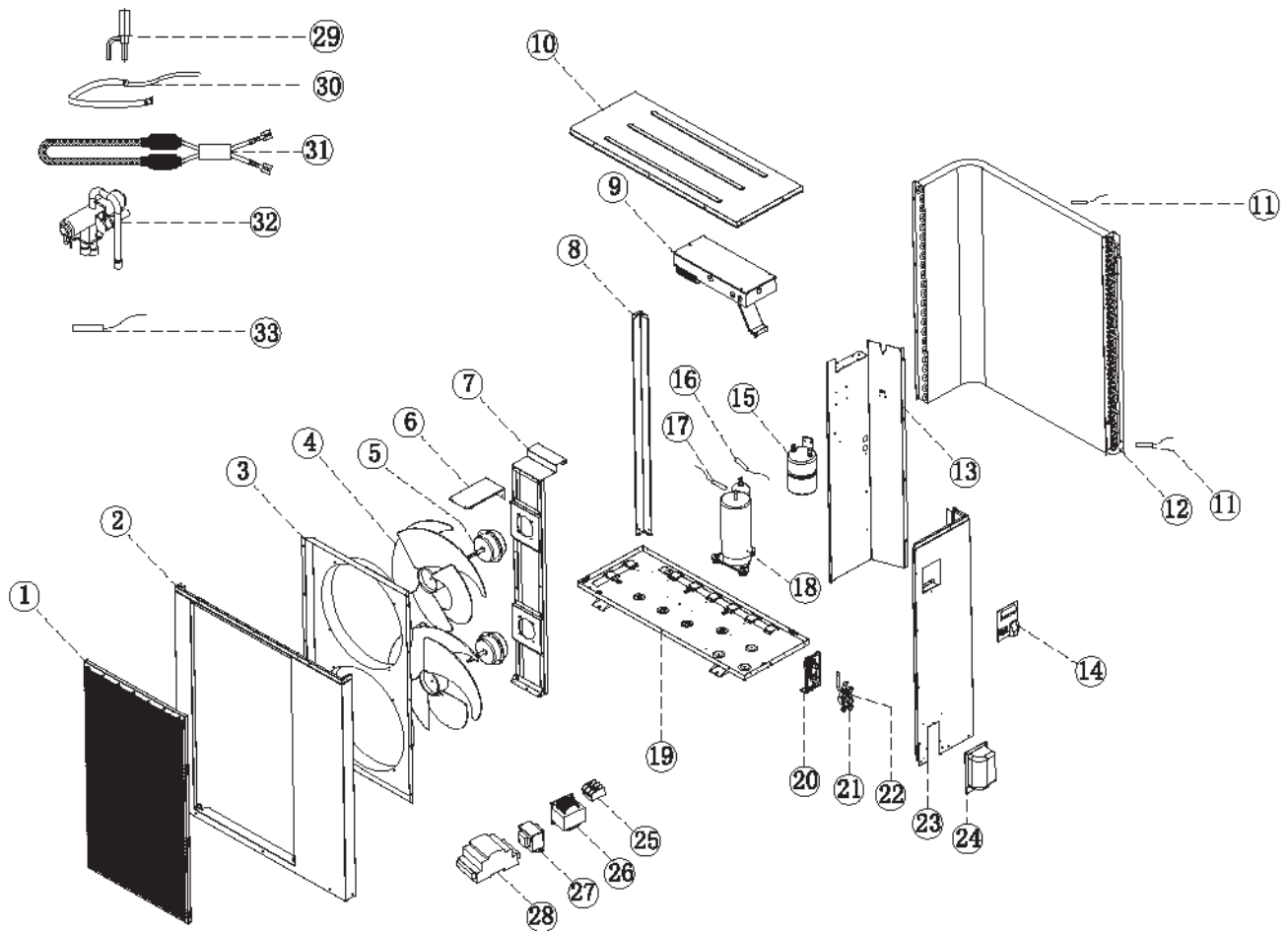
Outdoor — AVH-09V1DE-II
AVH-11V1DE-II



NO	Name	NO	Name	NO	Name
1	Decorative panel	11	Electric box cover	20	3/8" Valve
2	Outdoor fan	12	Top panel	21	1/2" Valve
3	Outdoor motor	13	Back panel	22	Valve cover
4	Front panel	14	Condenser	23	Compressor
5	Air guide	15	Bulkhead	24	Feet
6	Fixture	16	Right plate	25	Bottom plate
7	Motor bracket	17	Condenser heater	26	Eev coil
8	Column support	18	Big handle	27	Electrical expansion valve
9	Four-way valve	19	Bulkhead	28	Compressor heater
10	Electrical box				

5. Attached drawing

Outdoor —— AVH-13V1DE-II

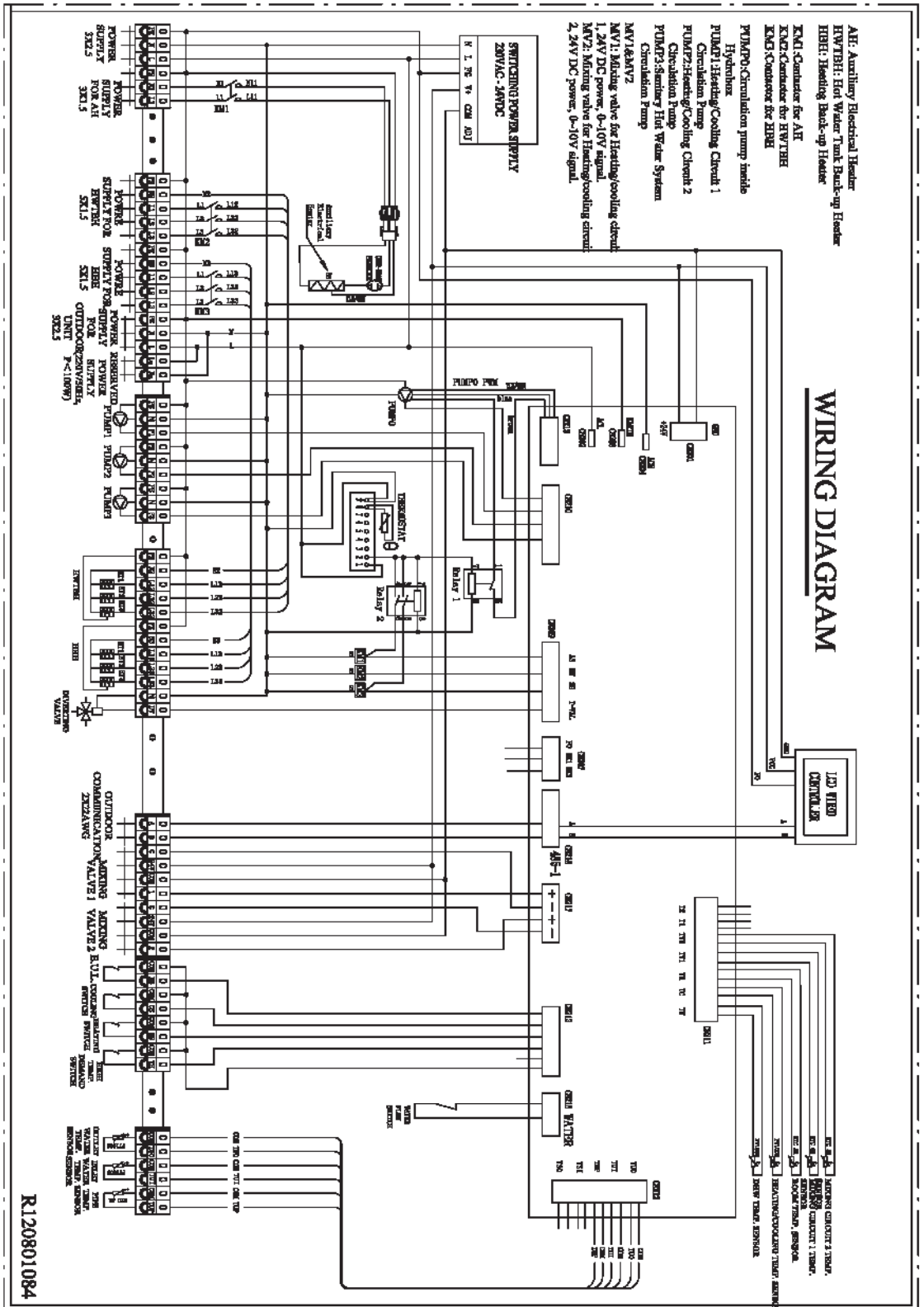


NO	Name	NO	Name	NO	Name
1	Decorative panel	12	Condenser	23	Side panel
2	Front panel	13	Bulkhead	24	Valve cover
3	Air guide	14	Handle	25	Terminal block
4	Outdoor fan	15	Sperator	26	PFC transducer
5	Outdoor motor	16	Suction temperature sensor	27	Transformer
6	Fixture	17	Compressor discharge temperature sensor	28	EEV controller
7	Motor bracket			29	Electronic expansion valve
8	Column support	18	Compressor	30	Crankcase heater
9	Controller	19	Bottom plate	31	Condenser heater
10	Top panel	20	Valve plate	32	4-Way valve
11	Coil and ambient temperature sensor	21	5/8" Valve	33	EEV temperature sensor
		22	3/8" Valve		

5. Attached drawing

5.3 Wiring diagram

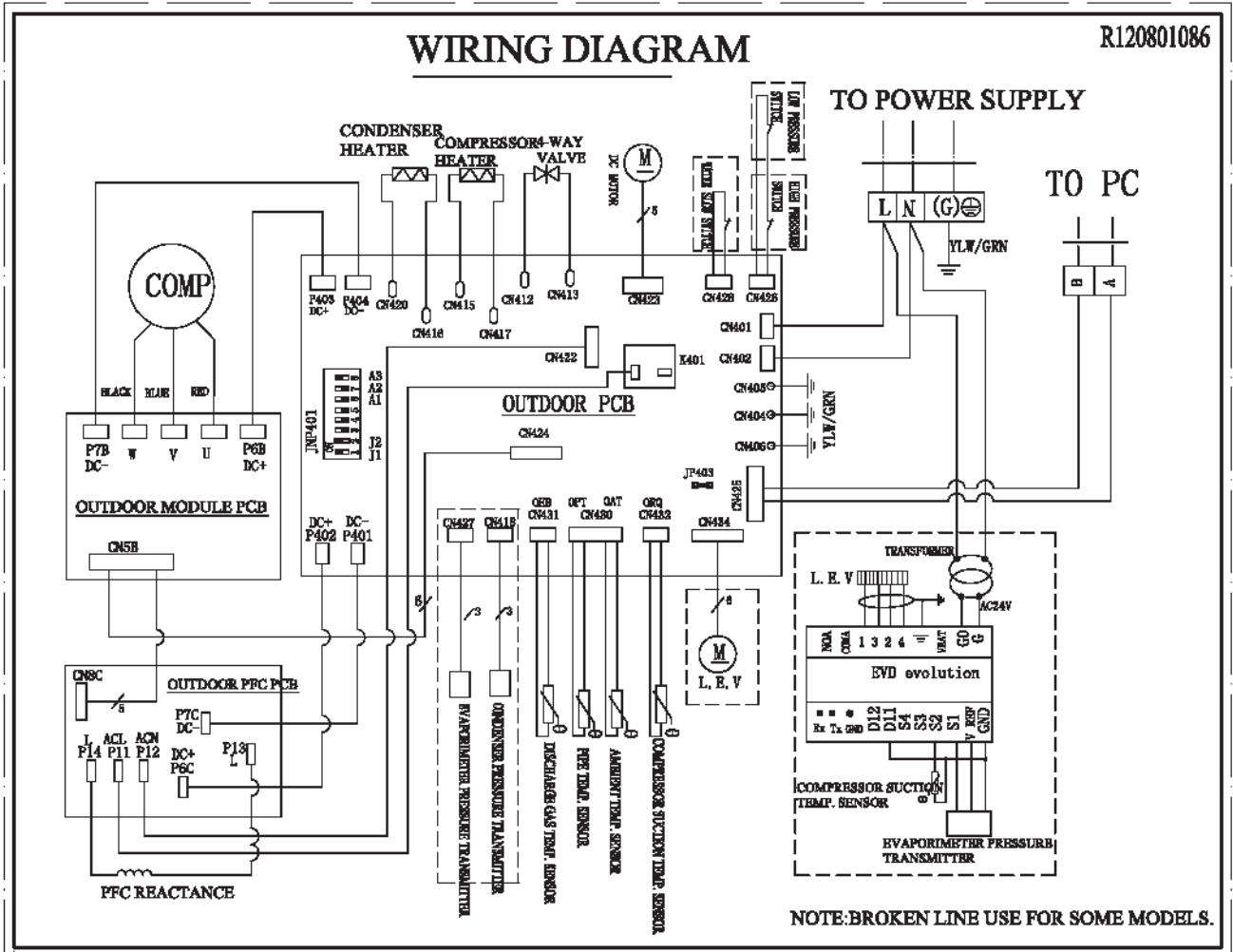
Indoor — AVH-09V1DE-II
 AVH-11V1DE-II
 AVH-13V1DE-II



TAKE CARE!
 The specifications are subject to change without prior notice.
 For actual specifications of the unit, please refer to the specification stickers on the unit.

5. Attached drawing

Outdoor — AVH-09V1DE-II
AVH-11V1DE-II



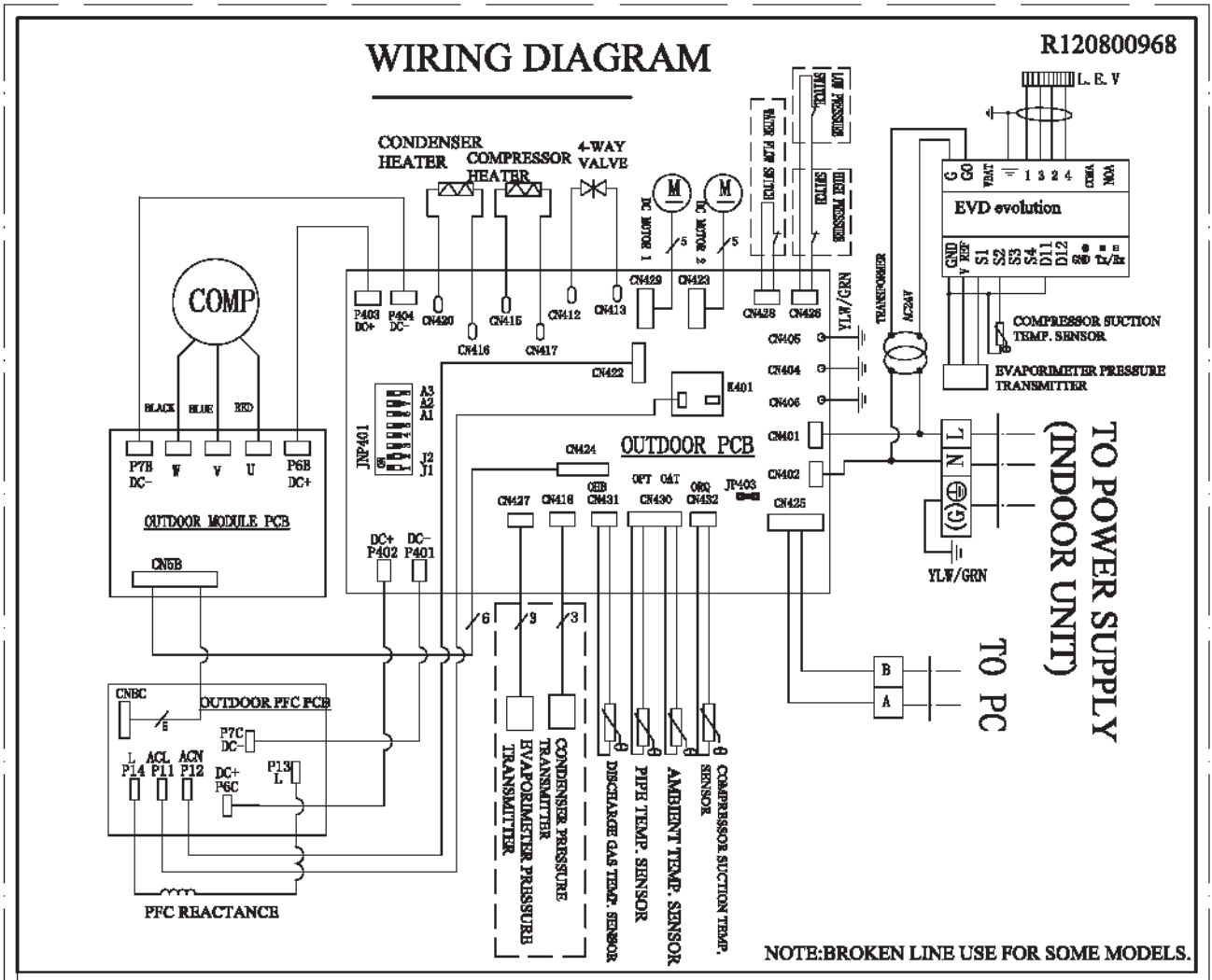
TAKE CARE!

The specifications are subject to change without prior notice.

For actual specifications of the unit, please refer to the specification stickers on the unit.

5. Attached drawing

Outdoor — AVH-13V1DE-II



TAKE CARE!

The specifications are subject to change without prior notice.

For actual specifications of the unit, please refer to the specification stickers on the unit.

**Thank you for choosing our quality product.
Please read this manual carefully before use and
follow the instructions to operate the unit in order
to prevent damages on the device or injuries to staff.**

**Specifications are subject to change with product
improvements without prior notice. Please refer to the
specification sticker on the unit for upgraded specifications.**